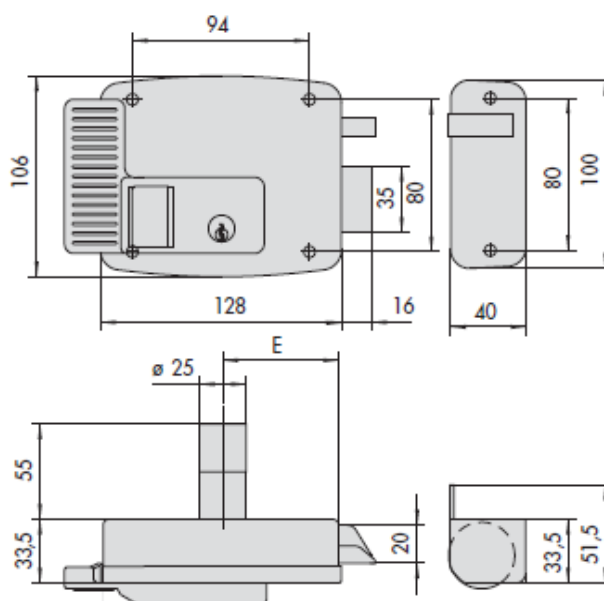
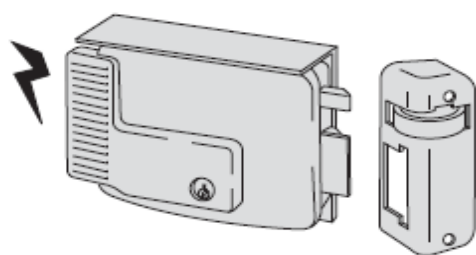


SCHEDA TECNICA

**PARIDE**

**CISA**<sup>®</sup>

SERRATURA ELETTRICA DA APPLICARE A CILINDRO 11721 N7 CISA



| Mandate | Entrata | Unitario | Pezzi | ARTICOLO |      |      |      |       |       |
|---------|---------|----------|-------|----------|------|------|------|-------|-------|
|         |         |          |       | Tipo     | Dim. | Mano | Fin. | Pers. | Spec. |

|    |       |   |   |       |    |   |    |  |  |
|----|-------|---|---|-------|----|---|----|--|--|
| 50 | 2,140 | 5 | 1 | 11721 | 50 | 1 | N7 |  |  |
| 50 | 2,140 | 5 | 1 | 11721 | 50 | 2 | N7 |  |  |
| 60 | 2,140 | 5 | 1 | 11721 | 60 | 1 | N7 |  |  |
| 60 | 2,140 | 5 | 1 | 11721 | 60 | 2 | N7 |  |  |
| 70 | 2,140 | 5 | 1 | 11721 | 70 | 1 | N7 |  |  |
| 70 | 2,140 | 5 | 1 | 11721 | 70 | 2 | N7 |  |  |
| 80 | 2,140 | 5 | 1 | 11721 | 80 | 1 | N7 |  |  |
| 80 | 2,140 | 5 | 1 | 11721 | 80 | 2 | N7 |  |  |

[WWW.FERRAMENTAPARIDE.IT](http://WWW.FERRAMENTAPARIDE.IT)