

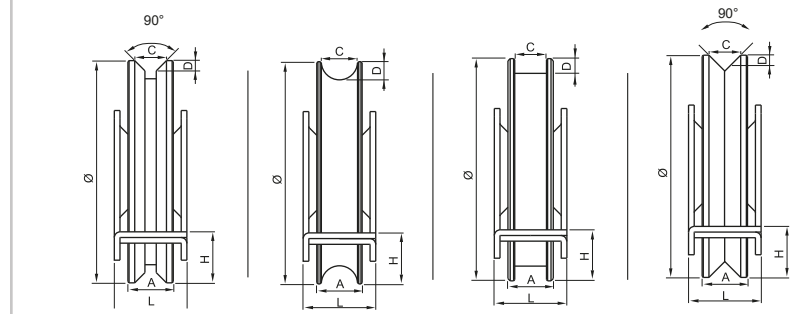


Materiale: Acciaio Zincato / Cataforesi / Nylon / Inox



**2 Cuscinetti schermati**

2 Ball bearings | 2 Roulements | 2 Rodamientos



Galvanized steel roller with closed bracket

Galet extractible en acier zingué avec support à platines

Rueda extraíble con soporte y placa atornillar o soldar

Колесо с внутренней опорой U и защитной пластиной

Schiebetore Rolle mit geschlossener Stützplatte aus verzinktem Stahl und einem Kugellager

**N.B. Per ordinare la versione Cataforesi aggiungere la lettera "C" alla fine del codice Es: 111/5/17/C.**

**Le versioni nylon sono indicate con la lettera "N" finale**

**To order the Cataphoresis model, add "C" at the end of the code. Ex.: 110/5/17/C**

**The nylon versions are indicated with the final letter "N"**

INOX

NYLON



| Art.        | Ø   | A  | C  | D   | H  | L  | Peso(g)   | Conf. |
|-------------|-----|----|----|-----|----|----|-----------|-------|
| -           | -   | -  | -  | -   | -  | -  | Weight(g) | Pack  |
| 120/8/25/2  | 80  | 26 | 20 | 7,5 | 25 | 35 | 870       | 20    |
| 120/9/25/2  | 90  | 26 | 20 | 7,5 | 25 | 35 | 1.080     | 12    |
| 120/10/25/2 | 100 | 26 | 20 | 7,5 | 25 | 35 | 1.300     | 12    |
| 120/12/25/2 | 120 | 26 | 20 | 7,5 | 29 | 35 | 1.500     | 8     |
| 120/10/32/2 | 100 | 32 | 20 | 7,5 | 25 | 44 | 1.710     | 8     |
| 120/12/32/2 | 120 | 32 | 20 | 7,5 | 29 | 44 | 2.710     | 6     |
| 120/14/32/2 | 140 | 32 | 20 | 7,5 | 29 | 44 | 3.610     | 4     |
| 120/16/32/2 | 160 | 32 | 20 | 7,5 | 32 | 44 | 4.690     | 2     |



| Art.        | Ø   | A  | C  | D  | H  | L  | Peso(g)   | Conf. |
|-------------|-----|----|----|----|----|----|-----------|-------|
| -           | -   | -  | -  | -  | -  | -  | Weight(g) | Pack  |
| 121/8/25/2  | 80  | 26 | 20 | 10 | 25 | 35 | 800       | 20    |
| 121/9/25/2  | 90  | 26 | 20 | 10 | 25 | 35 | 1.000     | 12    |
| 121/10/25/2 | 100 | 26 | 20 | 10 | 25 | 35 | 1.300     | 12    |
| 121/12/25/2 | 120 | 26 | 20 | 10 | 29 | 35 | 1.500     | 8     |
| 121/10/32/2 | 100 | 32 | 20 | 10 | 25 | 44 | 1.640     | 8     |
| 121/12/32/2 | 120 | 32 | 20 | 10 | 29 | 44 | 2.600     | 6     |
| 121/14/32/2 | 140 | 32 | 20 | 10 | 29 | 44 | 3.490     | 4     |
| 121/16/32/2 | 160 | 32 | 20 | 10 | 32 | 44 | 4.550     | 2     |

**N.B. Per ordinare la versione Cataforesi aggiungere la lettera "C" alla fine del codice Es: 111/5/17/C.**

**Le versioni nylon sono indicate con la lettera "N" finale**

**To order the Cataphoresis model, add "C" at the end of the code. Ex.: 110/5/17/C**

**The nylon versions are indicated with the final letter "N"**

INOX

NYLON



| Art.        | Ø   | A  | C  | D  | H  | L  | Peso(g)<br>Weight(g) | Conf.<br>Pack |
|-------------|-----|----|----|----|----|----|----------------------|---------------|
| 127/8/25/2  | 80  | 26 | 20 | 10 | 25 | 35 | 870                  | 20            |
| 127/9/25/2  | 90  | 26 | 20 | 10 | 25 | 35 | 1.080                | 12            |
| 127/10/25/2 | 100 | 26 | 20 | 10 | 25 | 35 | 1.300                | 12            |
| 127/12/25/2 | 120 | 26 | 20 | 10 | 29 | 35 | 1.500                | 8             |
| 127/10/32/2 | 100 | 32 | 20 | 10 | 25 | 44 | 1.710                | 8             |
| 127/12/32/2 | 120 | 32 | 20 | 10 | 29 | 44 | 2.710                | 6             |
| 127/14/32/2 | 140 | 32 | 20 | 10 | 29 | 44 | 3.610                | 4             |
| 127/16/32/2 | 160 | 32 | 20 | 10 | 32 | 44 | 4.690                | 2             |



| Art.        | Ø   | A  | C  | D  | H  | L  | Peso(g)<br>Weight(g) | Conf.<br>Pack |
|-------------|-----|----|----|----|----|----|----------------------|---------------|
| 122/10/32/2 | 100 | 32 | 20 | 10 | 25 | 44 | 1.530                | 8             |
| 122/12/32/2 | 120 | 32 | 20 | 10 | 29 | 44 | 2.504                | 6             |
| 122/14/32/2 | 140 | 32 | 20 | 10 | 29 | 44 | 2.504                | 4             |
| 122/16/32/2 | 160 | 32 | 20 | 10 | 32 | 44 | 3.500                | 2             |

