

# Horizontal pivot fittings UNITAS 18/3

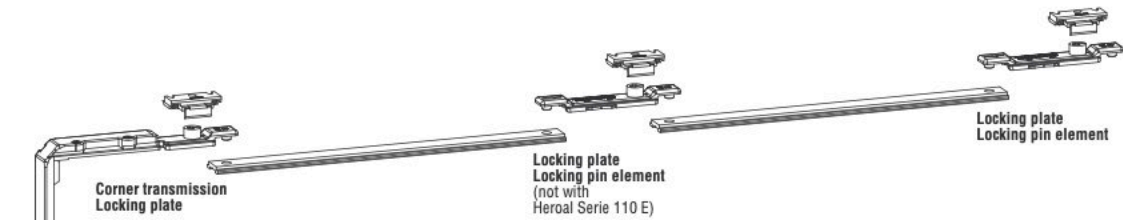


Home

Contents PG

Contents 5

Profile systems Alu Menziken Alisol 3, Alumil M 15000, Doral, Etem E-40 / E-45, Eural Serie 65, Fujisash



### Fitting requirements according to profile system

Qty.	Description	PU	Alu Menziken Alisol 3	Alumil M 15000	Doral
1	Horizontal pivot UNITAS 18/3 (pair)	1	6-27212-10-P-*	6-27212-07-P-*	6-27212-10-P-*
12	Countersunk screw M 5	400	9-13133-30-0-0	9-13133-25-0-0	9-13133-30-0-0
1	Handle DIRIGENT-T	1	6-28112-25-0-*	6-29188-30-0-*	6-29188-30-0-*
1	Mill-in gear alu 90°	10	6-25948-30-0-1	6-25948-33-0-1	6-25948-30-0-1
2	Countersunk screw M 5	400	9-13133-25-0-0	9-13133-35-0-0	9-13133-40-0-0
2	Corner transmission	100	6-24529-00-0-1	6-24529-00-0-1	6-24529-05-0-1
4	Locking pin element	100	6-24539-00-0-1	6-24539-00-0-1	6-24539-05-0-1
3	Locking plate bottom	100	6-27358-00-0-8	6-28832-00-0-1	6-24666-00-0-1
3	Locking plate top	100	G-11071-00-0-1	G-11071-00-0-0	G-11065-00-0-1
1	For slit ventilation	1	6-25982-00-0-0	6-25982-00-0-0	6-25982-00-0-0

### Optional parts and drilling jig

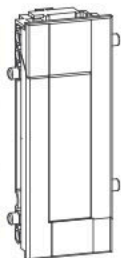
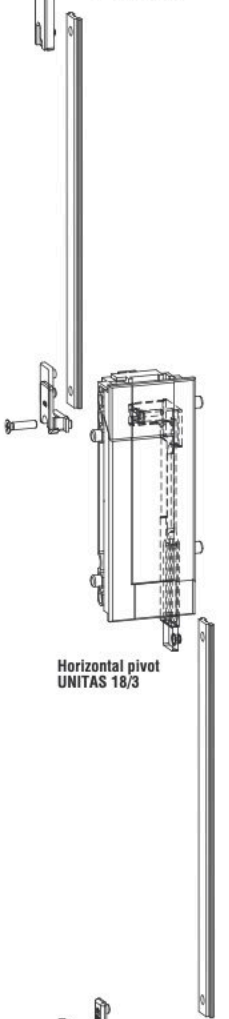
Automatic 180° locking latch	10	9-20017-00-0-*	9-20017-00-0-*	9-20017-00-0-*
Bag of limiting stay	1	K-13393-00-0-1	K-13393-00-0-1	K-13393-00-0-1
Drilling jig for horizontal pivot	1	6-27419-00-0-0	6-27419-00-0-0	6-27419-00-0-0

### Fitting requirements according to profile system

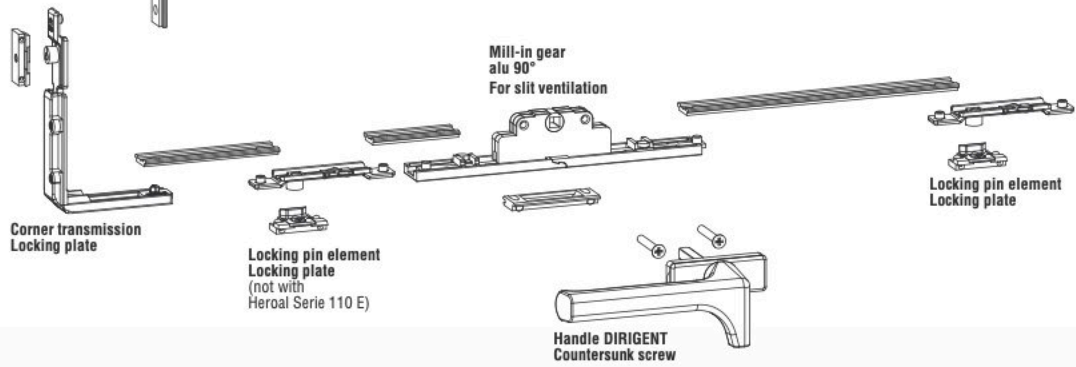
Qty.	Description	PU	Etem E-40 / E-45	Eural Serie 65	Fujisash
1	Horizontal pivot UNITAS 18/3 (pair)	1	6-27212-07-P-*	6-27212-10-P-*	6-27600-10-P-*
12	Countersunk screw M 5	400	9-13133-30-0-0	9-13133-25-0-0	9-13133-30-0-0
1	Handle DIRIGENT-T	1	6-29188-30-0-*	6-29188-30-0-*	6-29189-30-0-*
1	Mill-in gear alu 90°	10	6-25948-30-0-1	6-25948-30-0-1	6-25948-32-0-1
2	Countersunk screw M 5	400	9-13133-16-0-0	9-13133-16-0-0	9-13133-40-0-0
2	Corner transmission	100	6-24529-00-0-1	6-24529-00-0-1	6-24529-10-0-1
4	Locking pin element	100	6-24539-00-0-1	6-24539-00-0-1	
4	Locking pin	100			A-02823-00-0-0
3	Locking plate bottom	100	6-28832-00-0-1	6-27358-00-0-8	6-27358-00-0-8
3	Locking plate top	100	G-11071-00-0-1	G-11071-00-0-1	6-27358-00-0-8
1	For slit ventilation	1	6-25982-00-0-0	6-25982-00-0-0	6-25982-00-0-0

### Optional parts and drilling jig

Automatic 180° locking latch	10	9-20017-00-0-*	9-20017-00-0-*	9-20017-00-0-*
Bag of limiting stay	1	K-13393-00-0-1	K-13393-00-0-1	K-13393-00-0-1
Drilling jig for horizontal pivot	1	6-27419-00-0-0	6-27419-00-0-0	6-27419-00-0-0



Horizontal pivot UNITAS 18/3



Corner transmission  
Locking plate

Locking pin element  
Locking plate  
(not with Heroal Serie 110 E)

Mill-in gear alu 90°  
For slit ventilation

Locking pin element  
Locking plate

Handle DIRIGENT  
Countersunk screw