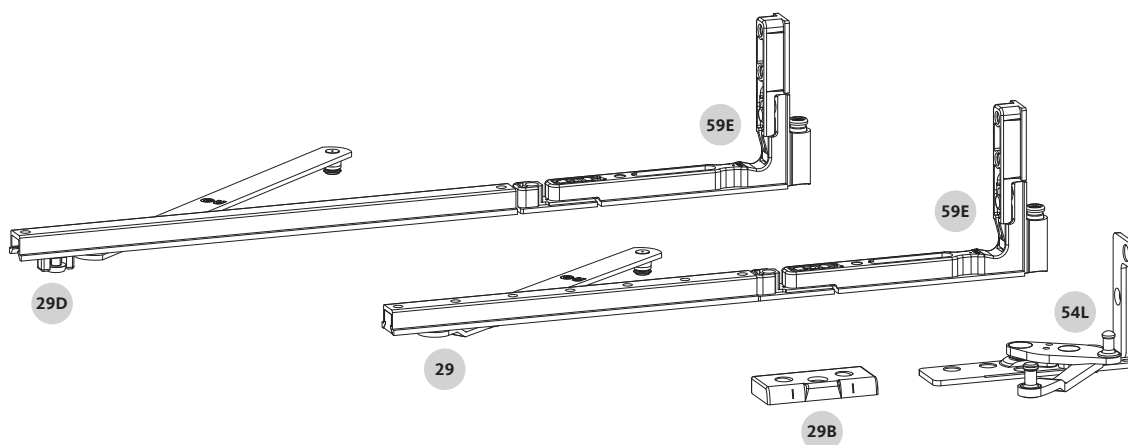
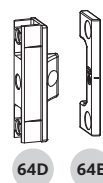
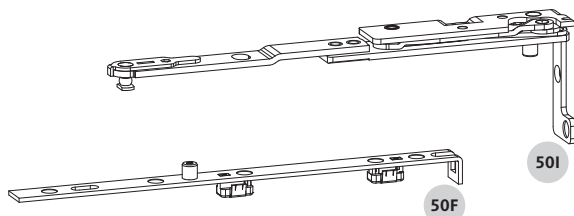


UNI-JET SCF – Turn-Only sash

Max. sash weight 130 kg – without load-absorption set



Tested hardware load-bearing capacity

- Max. 130 kg
- Application diagram 0-47358
- Installation drawing for central locking system 0-47360
- Installation drawing for hinge-side 0-47106 (24 mm rebate depth) 0-48070 (30 mm rebate depth)
- Installation drawing turn-restrictor 0-46905
- Instructions on how to hinge and unhinge the sash 0-47477

UNI-JET SCF – Turn-Only sash

Max. sash weight 130 kg – without load-absorption set



Turn-Only stay-arm

Item	AX [mm]	SRW [mm]	L [mm]	PU	Order number	
					DIN left	DIN right
50I	Rebate depth 24 mm					
	9	250-1400	230	10	6-37016-09-L-1	6-37016-09-R-1
	13	250-1400	230	10	6-37016-13-L-1	6-37016-13-R-1
	Rebate depth 30 mm					
	9	250-1400	230	10	6-37021-09-L-1	6-37021-09-R-1
	13	250-1400	230	10	6-37021-13-L-1	6-37021-13-R-1

Turn-Only stay-guide

Item	AX [mm]	SRW [mm]	L [mm]	PU	Order number
50F	9+13	250-1400	250	10	6-39075-01-0-1

Centre-closer

Item	Description	PU	Order number	
			AX 9 mm	AX 13 mm
Sash part, adjustable				
64D		100	6-34229-00-0-1	
Frame part				
64E	flat rebate 18 x 8 mm	100	9-47352-10-0-1	-
	flat rebate 20 x 8 mm	100	9-47352-20-0-1	-
	flat rebate 24 x 8 mm		-	9-47352-20-0-1
	flat rebate 30 x 8 mm	100	9-47352-10-0-1	9-47352-30-0-1

Pivot-rest

Item	AX [mm]	SRW [mm]	L [mm]	PU	Order number	
					DIN left	DIN right
54L	Rebate depth 24 mm					
	9+13	250-1400	100	50	6-35871-00-L-1	6-35871-00-R-1
	Rebate depth 30 mm					
	9+13	250-1400	100	50	6-36031-00-L-1	6-36031-00-R-1

Corner hinge

Item	AX [mm]	SRW [mm]	L [mm]	PU	Order number	
					DIN left	DIN right
59E	9	250-1400	130	50	6-40503-09-L-1	6-40503-09-R-1
	13	250-1400	130	50	6-40503-13-L-1	6-40503-13-R-1

Turn-restrictor [1]

Item	SRW [mm]	L [mm]	PU	Order number
29	550-1400	180	10	6-39007-00-0-1

Turn-restrictor with brake [1][2]

Item	SRW [mm]	L [mm]	PU	Order number
29D	650-1400	245	10	6-39900-00-0-1

Snap-in connection

Item	System	PU	Order number
29B	flat rebate 18 x 8 mm	10	9-45171-01-0-1
	flat rebate 20 x 8 mm		
	flat rebate 24 x 8 mm	10	9-45171-00-0-1
	flat rebate 30 x 8 mm	10	9-45171-30-0-1

- [1] Installation of turn-restrictor required from SRW > 650 mm.
Exception: For use in private homes, with sash weights < 80 kg, an installation of a turn-restrictor is required from SRW > 800.
- [2] With RC1/RC1N and RC2 the turn-restrictor 6-39900 can only be used from SRW > 714 mm.

If soft woods with a poor gross density are used which are not sufficiently hard to withstand high sash weights, the following instructions must be observed when fixing the bearing components on the hinge-side:

- For fixing the pivot-rest and the stay-arm, only a special screw with a partially cylindrical shank (GU 9-43787) may be used.
- Before fixing the pivot-rest, it is necessary to screw in 1 countersunk wood screw 5 x 40 mm at the marked spot (#) flush with the frame to give the pivot-rest sufficient support in the wood.
- See installation drawings 0-47106 and 0-48070.

Centre-closers

- Attach frame part for flat rebate 24 x 8 mm to the rear frame rebate edge.
- Frame part for flat rebate 30 x 8 mm, position axis 9 mm flush with the front frame rebate edge.
- Number of centre-closers for:
 - SRH 721-1350 mm = 1 piece
 - SRH 1351-2100 mm = 2 pieces
 - SRH 2101-2800 mm = 3 pieces
 The centre-closers must be positioned at regular intervals over the entire SRH.
- Use spacer blocks between glazing and sash rebate in area of centre-closer in order to prevent the sash profile from bending towards the glazing.
- The centre-closer is designed to ensure adequate gasket pressure and not to compensate for lacking tightness arising from a warped window unit. In such a case it is necessary to use the corresponding Tilt&Turn hardware components (with lift stop to restrict the handle rotation to 90°).