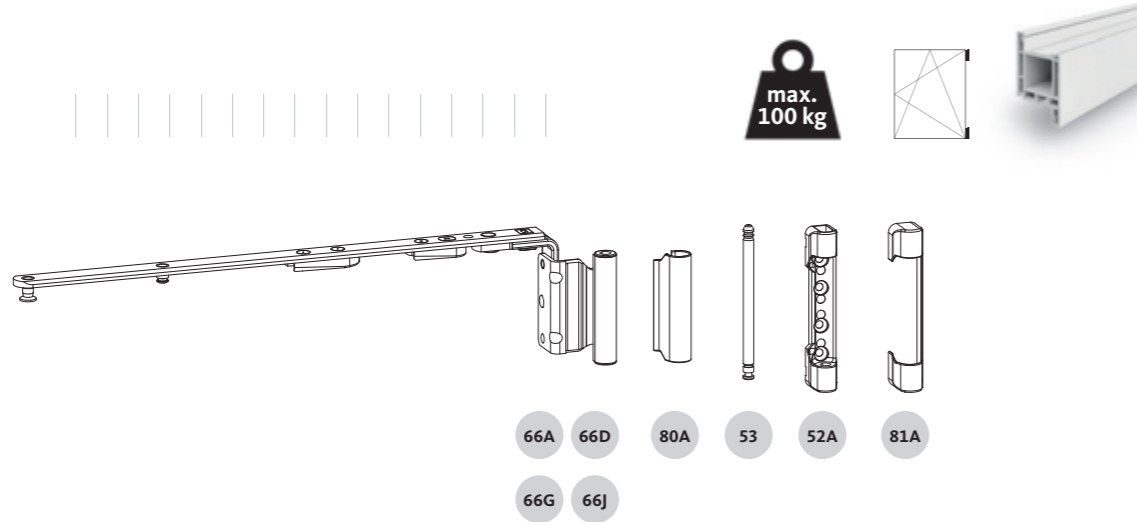
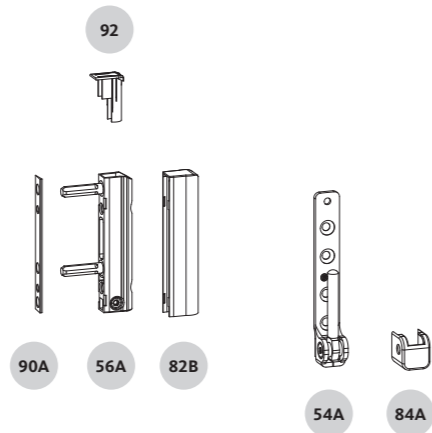


UNI-JET D – Tilt&Turn / Tilt-First sash

Max. sash weight 100 kg



- 66A
- 66D
- 80A
- 53
- 52A
- 81A
- 66G
- 66J



- 92
- 90A
- 56A
- 82B
- 54A
- 84A

Tested hardware load-bearing capacity

- Max. 100 kg see application diagram 0-45558
- Installation drawing 0-46603

Order example

Sash overlap
18, 20 or 22
6-39113-□□-L/R-1

UNI-JET D – Tilt&Turn / Tilt-First sash

Max. sash weight 100 kg



Upper hinge-side

Tilt&Turn stay-arm, AX 9 mm			
Item	SRW	PU	Order number
66A	280-500	10	6-39113-□□-L/R-1
	501-750		6-39114-□□-L/R-1
	751-1200		6-39115-□□-L/R-1
	1201-1600		6-39116-□□-L/R-1

Tilt&Turn stay-arm, AX 13 mm			
Item	SRW	PU	Order number
66D	280-500	10	6-39117-□□-L/R-1
	501-750		6-39118-□□-L/R-1
	751-1200		6-39119-□□-L/R-1
	1201-1600		6-39120-□□-L/R-1

Tilt-First stay-arm, AX 9 mm			
Item	SRW	PU	Order number
66G	280-500	10	6-39137-□□-L/R-1
	501-750		6-39138-□□-L/R-1
	751-1200		6-39139-□□-L/R-1
	1201-1600		6-39140-□□-L/R-1

Tilt-First stay-arm, AX 13 mm			
Item	SRW	PU	Order number
66J	280-500	10	6-39141-□□-L/R-1
	501-750		6-39142-□□-L/R-1
	751-1200		6-39143-□□-L/R-1
	1201-1600		6-39144-□□-L/R-1

Cover cap for stay-hinge			
Item	Colours	PU	Order number
80A	See page 223	100	9-47795-01-0-□

Stay-bearing pin			
Item		PU	Order number
53		100	9-48898-00-0-1

Stay-bearing D/100			
Item		PU	Order number
52A	Positioning pin Ø 3, L = 2.5 mm	100	6-36026-03-0-1
	Positioning pin Ø 6, L = 2.5 mm		6-36026-06-0-1

Cover cap for stay-bearing			
Item	Colours	PU	Order number
81A	See page 224	100	9-47334-01-0-□

Lower hinge-side

Packer for drill-in hinge			
Item	Slope of profile overlap	PU	Order number
90A	6°	100	9-48684-06-L/R-□

Plug			
Item	Colours	PU	Order number
92	See page 227	100	9-47426-00-0-□

Drill-in hinge D/100 – without turn-brake			
Item		PU	Order number
56A	Positioning pin Ø 6, L = 23 mm	100	6-36180-01-0-1

Cover cap for drill-in hinge			
Item	Colours	PU	Order number
82B	See page 226	100	9-47783-01-0-□

Pivot-rest D/100			
Item		PU	Order number
54A	Positioning pin Ø 3, L = 2.5 mm	100	6-36881-03-0-1
	Positioning pin Ø 6, L = 22 mm		6-36882-22-0-1

Cover cap for pivot-rest			
Item	Colours	PU	Order number
84A	See page 225	100	9-42683-00-0-□