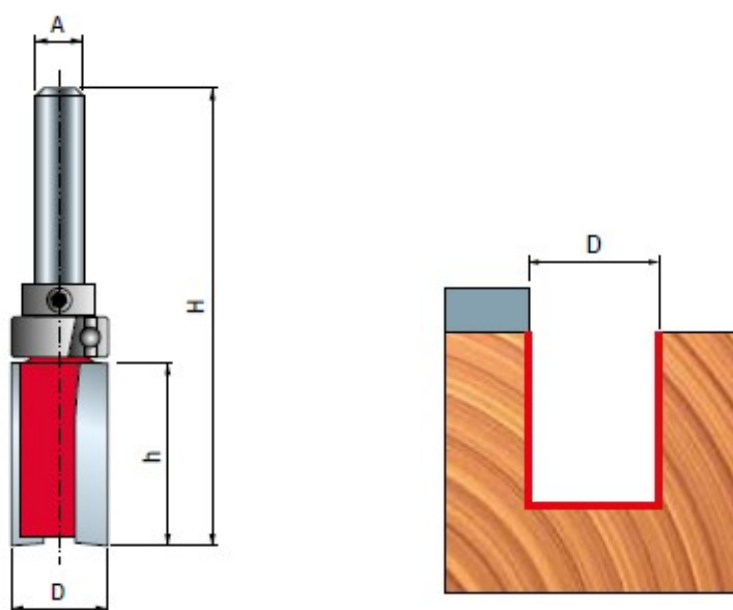


SCHEDA TECNICA

 **PARIDE**

freud.



D mm	h mm	H mm	A mm	C mm	Z	Max RPM 1/min.	Code Codice	SAP SAP
13	20	60	6	13	2	24.000	50-10206P	F03FR02003
15	20	60	6	15	2	24.000	50-10406P	F03FR02006
19	25,4	67,5	6	19	2	24.000	50-10606P	F03FR02008
16	20	60	8	16	2	24.000	50-10308P	F03FR02005
22	20	60	8	22	2	24.000	50-10808P	F03FR02010

WWW.FERRAMENTAPARIDE.IT