
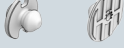
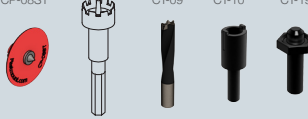
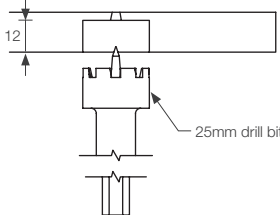
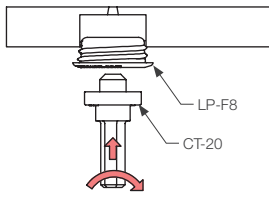
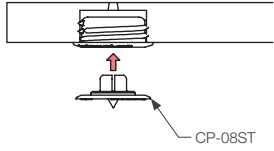
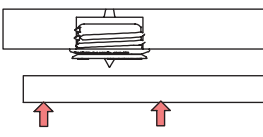
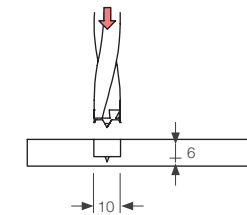
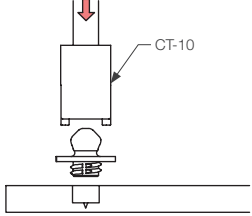


# LP-F8 Low Profile Self Tapping Female

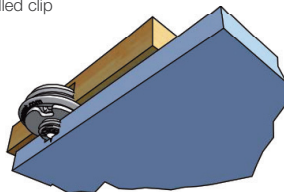
(page 1 of 2)

<p><b>LP-F8</b></p> 	<p><b>USE WITH:</b></p>	<p><b>INSTALL WITH:</b></p>
	<p>LP-M8A      LP-SM8AS</p> 	<p>CP-08ST      CT-09      CT-10      CT-19</p>  <p>25Ø drill</p>

## INSTALLATION STEPS

<p><b>1</b> Drill 25Ø hole in frame</p>  <p>25mm drill bit</p>	<p><b>2</b> Screw LP-F8 into frame. Use battery drill with clutch set.</p>  <p>LP-F8 CT-20</p>	<p><b>3</b> Fit CP-08ST centre point into LP-F8</p>  <p>CP-08ST</p>
<p><b>4</b> Press panel onto CP-08ST to mark</p> 	<p><b>5</b> Drill panel on mark with CT-09</p>  <p>10      6</p>	<p><b>6</b> Screw fit LP-M8A with CT-10. Use battery drill with clutch set.</p>  <p>CT-10</p>

**A** Cutaway view of installed clip







NB. CT-12 to CSK hole edge in hard material (1-2mm)

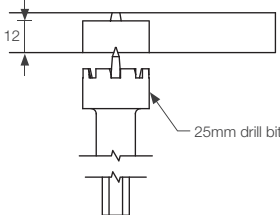
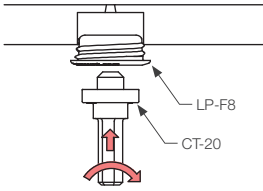
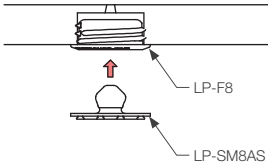
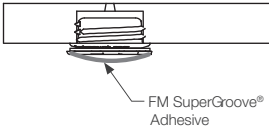
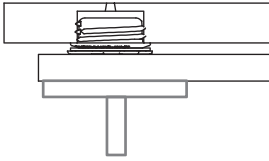
MORE INFO: Clip Layout guide TD-02 & TD-08

# LP-F8 Low Profile Self Tapping Female

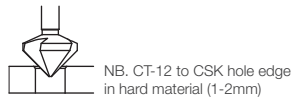
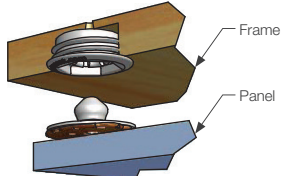
(page 2 of 2)

<p><b>LP-F8</b></p> 	<p><b>USE WITH:</b></p>	<p><b>INSTALL WITH:</b></p>
	<p>LP-M8A    LP-SM8As</p> 	<p>CT-19</p>  <p>25Ø drill</p> 

## INSTALLATION STEPS Adhesive fix option

<p><b>1</b> Drill 25Ø hole in frame</p>  <p>25mm drill bit</p>	<p><b>2</b> Screw LP-F8 into frame, use battery drill with clutch set.</p>  <p>LP-F8 CT-20</p>	<p><b>3</b> Fit LP-SM8AS into LP-F8</p>  <p>LP-F8 LP-SM8AS</p>
<p><b>4</b> Adhesive to LP-SM8AS</p>  <p>FM SuperGroove® Adhesive</p>	<p><b>5</b> Drill panel on mark with CT-09</p> 	

**A** Cutaway view of installed clip (panel removed)



MORE INFO: Clip Layout guide TD-02 & TD-08