



GEZE ACCESSORIES FOR DOOR CLOSERS FROM COVER CAPS TO PIVOT HINGES



CONTENTS**GEZE accessories for floor springs**

GEZE floor-mounted pivot bearings and cover plates	4
GEZE door rails for single-action doors	4
GEZE door rails and pivot hinges for single-action doors	5
GEZE caps for door rails and pivot hinges	8
GEZE door rails for double-action doors	9
GEZE pivot hinges for double-action doors	10

GEZE accessories for overhead door closers

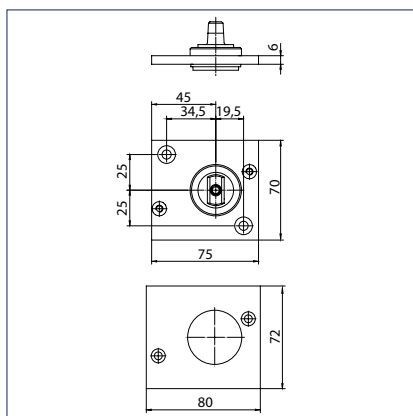
GEZE T-Stop guide rail	11
GEZE Boxer pivot bearing	13
GEZE CB flex carry bar	15
EClime ISM / ISM BG retrofit kit	16
GEZE mechanical hold-open devices	17
GEZE flexible opening restrictor	19
GEZE caps	20

GEZE general door closer accessories

GEZE FA GC 170 wireless extension kit	21
GEZE GC 152 and GC 153 ceiling-mounted detectors	23
GEZE RSZ 6 / RSZ 6 ECwire smoke switch control unit	25
GEZE manual trigger switch	27
GEZE door hold-open magnets	28
GEZE magnetic counter plates	31

GEZE ACCESSORIES FOR DOOR CLOSERS

GEZE TS 137 b / TS 32 b floor-mounted pivot bearings and cover plate for floor-mounted pivot bearings with flat conical and square axis, door weight max. 250 kg, 75 x 70 mm with reinforcement plate



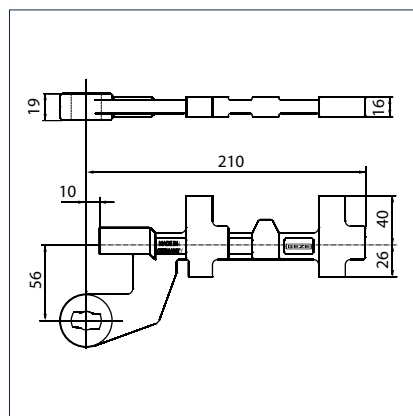
Pivot bearing with flat conical axis

GEZE floor-mounted pivot bearings and cover plates - Order information

Description	Spindle extension	Version	ID no.
GEZE floor-mounted pivot bearing TS 137 b with flat conical axis, max. door weight 250 kg, 75 x 70 mm with reinforcement plate	0 mm	silver-coloured	009788
	5 mm	silver-coloured	009790
GEZE floor-mounted pivot bearing TS 32 b with square axis, door weight max. 250 kg, 75 x 70 mm with thrust bearing	0 mm	silver-coloured	010556
	5 mm	silver-coloured	010564
Cover plate GEZE floor-mounted pivot bearing for type TS 137 b and TS 32 b		stainless steel	012846

GEZE door rails for single-action doors

Model DM, for metal doors



Application range

- for screwing in place
- can be adapted to almost every aluminium profile system thanks to flat cone (on request)

Door rail model DM

GEZE door rail DM for single action-doors - Order information

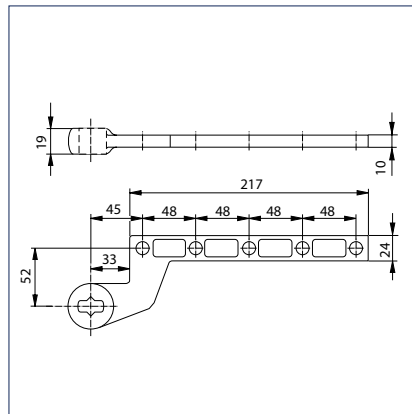
Description	Version	ID no.
GEZE door rails for single-action doors Model DM, for metal doors, on-site adaptation to profile system, without surface treatment ¹⁾	Flat cone	galvanised 037630
	Square	galvanised 037631
GEZE door rails for single-action doors Model DM, for metal doors, adapted to profile system with flat cone or square ²⁾	galvanised	001068

1) Material: Steel, drop-forged

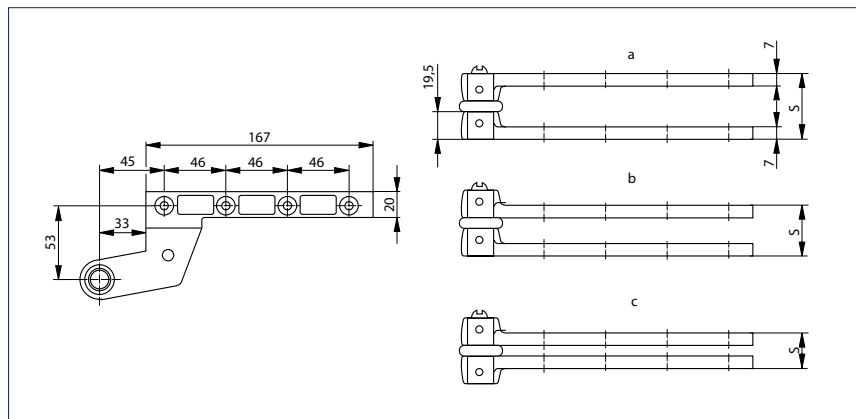
2) The profile system and profile combination used must be specified with the order.

GEZE door rails and pivot hinges for single-action doors

Model DB, for rebated and flush-impact metal and wooden doors



Door rail model DB



Pivot hinge model DB

Pivot pin

Installation dimensions	Combination		
	a	b	c
Dimension=	S	S	S
Pivot pin 41 mm without intermediate ring	41	28	15
Pivot pin 45 mm without intermediate ring	45	32	19
Pivot pin 49 mm without intermediate ring	49	36	23

The standard version has a 45 mm pivot pin. 41 mm and 49 mm pivot pins must be ordered separately.

GEZE door rails and pivot hinges DB for single-action doors - Order information

Description	Pivot type	Version	ID no.
GEZE door rails for single-action doors Model DB, for rebated & flush-impact metal and wooden doors ¹⁾	Flat cone	galvanised	044579
	Square	galvanised	037581
GEZE pivot hinges for single-action doors Model DB, for rebated & flush-impact metal and wooden doors ¹⁾	Combination a	galvanised	044676
	Combination b left	galvanised	044697
	Combination b right	galvanised	044680
	Combination c	galvanised	044787
Pivot pin 41 mm ¹⁾			008063
Pivot pin 49 mm ¹⁾			008022

¹⁾ Standard length of pivot pins = 45 mm

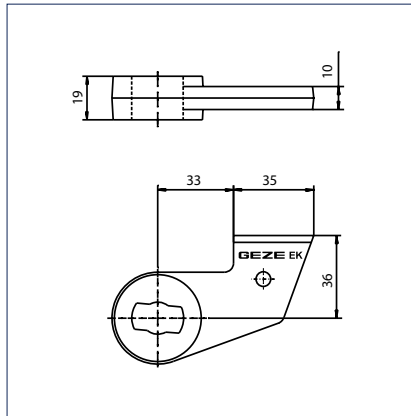
GEZE ACCESSORIES FOR DOOR CLOSERS

GEZE door rails and pivot hinges for single-action doors

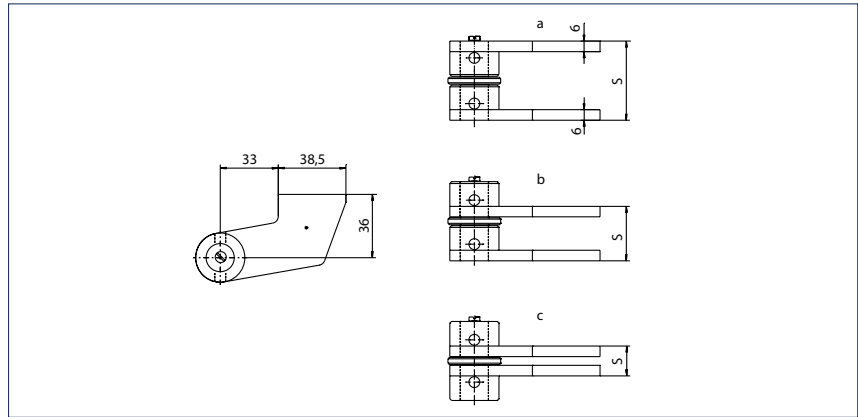
Model EK, for welding to steel doors



Door rail model EK



Pivot hinge model EK



Pivot pin

Installation dimensions	Combination		
	a	b	c
Dimension=	S	S	S
Pivot pin 41 mm without intermediate ring	41	27	13
Pivot pin 45 mm without intermediate ring	45	31	17
Pivot pin 49 mm without intermediate ring	49	35	21

The standard version has a 45 mm pivot pin. 41 mm and 49 mm pivot pins must be ordered separately.

GEZE door rail and pivot hinge EK for single-action doors - Order information

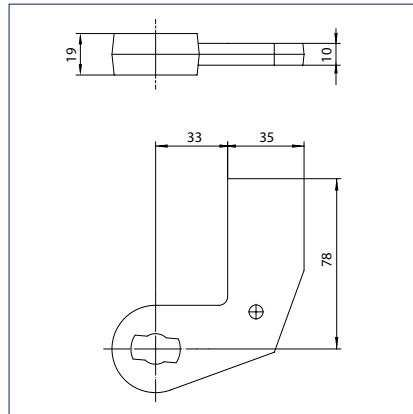
Description	Version	ID no.
GEZE door rails for single-action doors Model EK, for welding to steel doors ¹⁾	Flat cone	008269
	Square	006696
GEZE pivot hinges for single-action doors Model EK, for welding to steel doors ¹⁾	Combination b DIN left	006719
	Combination b DIN left	000889
	Combination b DIN left	000890
	Combination b DIN left	000891
Pivot pin 41 mm ¹⁾		008063
Pivot pin 49 mm ¹⁾		008022

¹⁾ Standard length of pivot pins = 45 mm

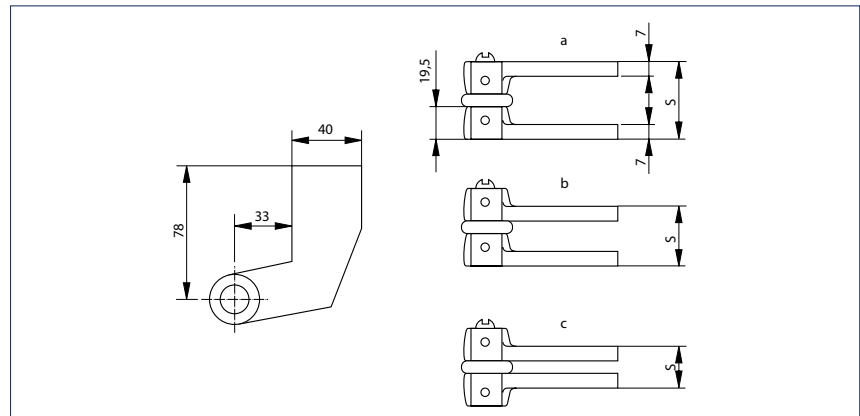
GEZE ACCESSORIES FOR DOOR CLOSERS

GEZE door rails and pivot hinges for single-action doors

Model FK, for welding to steel doors



Door rail model FK



Pivot hinge model FK

Pivot pin

Installation dimensions	Combination		
	a	b	c
Dimension=	S	S	S
Pivot pin 41 mm without intermediate ring	41	28	15
Pivot pin 45 mm without intermediate ring	45	32	19
Pivot pin 49 mm without intermediate ring	49	36	23

The standard version has a 45 mm pivot pin. 41 mm and 49 mm pivot pins must be ordered separately.

GEZE door rail and pivot hinge FK for single-action doors - Order information

Description	Version	ID no.
GEZE door rails for single-action doors Model FK, for welding to steel doors ¹⁾	Flat cone	phosphated 008270
	Square	phosphated 006699
GEZE pivot hinges for single-action doors Model FK, for welding to steel doors ¹⁾	Combination a	phosphated 006724
	Combination b DIN left	phosphated 000895
	Combination b DIN right	phosphated 000896
	Combination c	phosphated 000897
Pivot pin 41 mm ¹⁾		008063
Pivot pin 49 mm ¹⁾		008022

¹⁾ Standard length of pivot pins = 45 mm

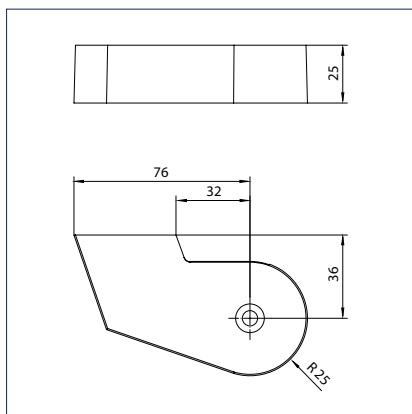
GEZE ACCESSORIES FOR DOOR CLOSERS

GEZE caps for door rails (flush-impact and rebated doors)

suitable for models DB, DM, EK, FK and for models DB, EK, FK



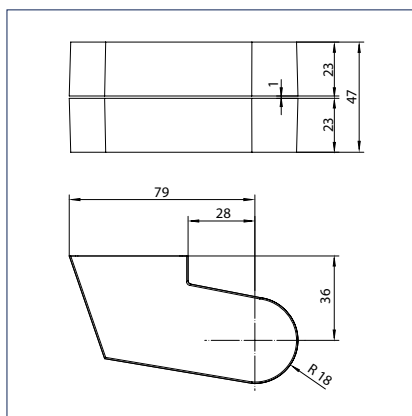
Cap, right



Caps for door rail models DM, DB, EK, FK



Cap, right



Caps for pivot hinge models DB, EK, FK

GEZE caps for door rails - Order information

Description	DIN direction	Version	ID no.
GEZE caps for door rails (flush-impact doors) suitable for models DB, DM, EK, FK	left	simulated stainless steel	137586
	left	EV1	006794
	right	simulated stainless steel	137577
	right	EV1	006798
GEZE caps for door rails (rebated doors) suitable for models DB, DM, EK, FK ¹⁾	left	simulated stainless steel	137618
	left	EV1	045196
	right	simulated stainless steel	137617
	right	EV1	045155
GEZE caps for pivot hinges (flush-impact doors) suitable for models DB, EK, FK	left/right	EV1	001090
	left/right	simulated stainless steel	137640
GEZE caps for pivot hinges (rebated doors) suitable for models DB, EK, FK ¹⁾	left	EV1	037918
	left	simulated stainless steel	137641
	right	EV1	038302
	right	simulated stainless steel	137642

¹⁾ The caps for the door rails and the pivot hinges are ground by 14 mm for installation on rebated doors.

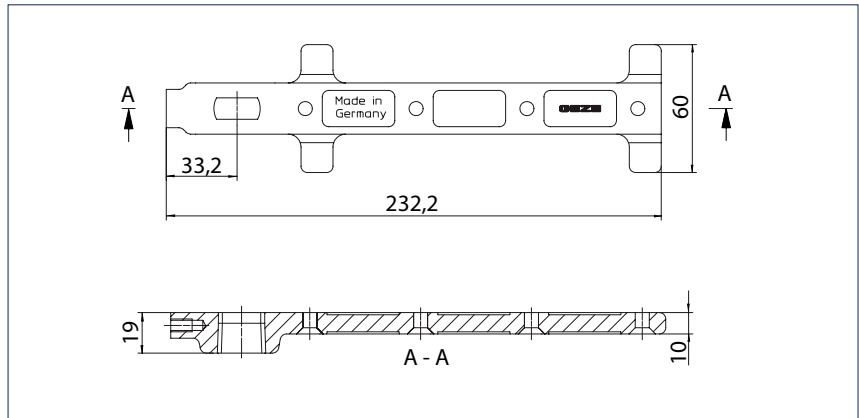
GEZE ACCESSORIES FOR DOOR CLOSERS

GEZE door rails for double-action doors

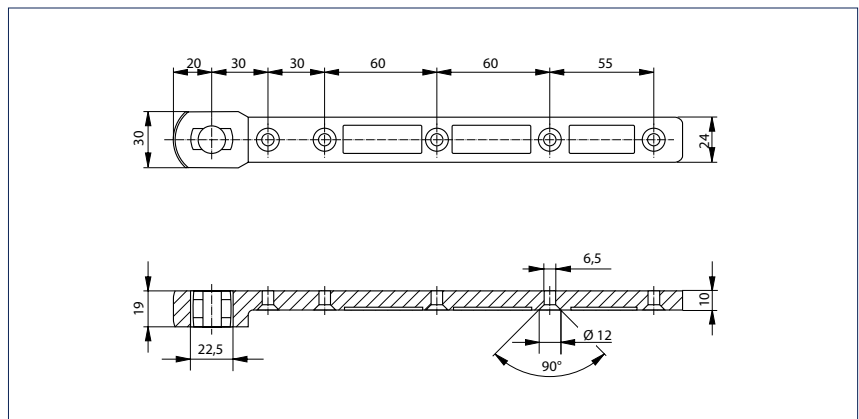
Models CM, C and S



Door rail model CM



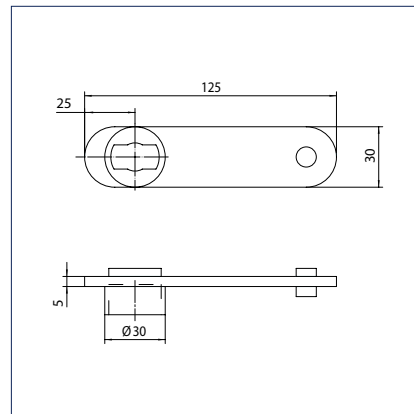
Door rail model C



Door rail model C



Door rail model S



Door rail model S

GEZE door rails for double-action doors - Order information

Description	Version	ID no.
GEZE door rail for double-action doors Model CM, for metal doors, on-site adaptation to profile system, without surface treatment	galvanised	021817
GEZE door rail for double-action doors Model CM, for metal doors, adapted to profile system ¹⁾	Flat cone galvanised	001067
GEZE door rail for double-action doors Model C, for metal and wooden doors	Flat cone galvanised	007432
GEZE door rail for double-action doors Model S, for welding to steel doors	Flat cone phosphated	007434

¹⁾ The profile system and profile combination used must be specified with the order.

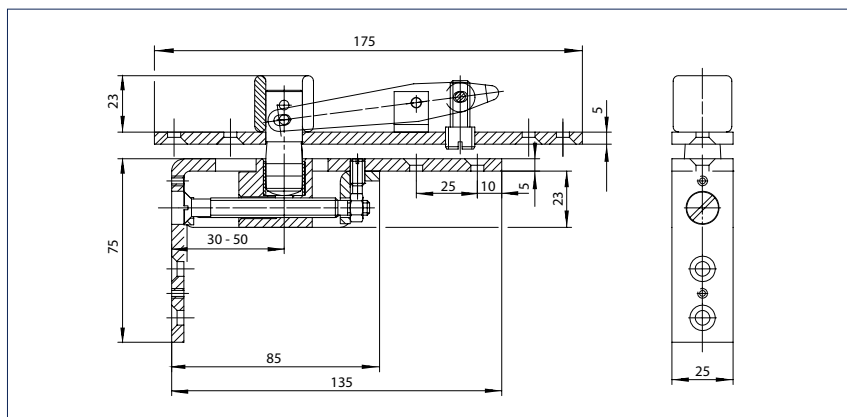
GEZE ACCESSORIES FOR DOOR CLOSERS

GEZE adjustable pivot hinge for double-action doors

Models B and C, suitable for door rails C, CM, S



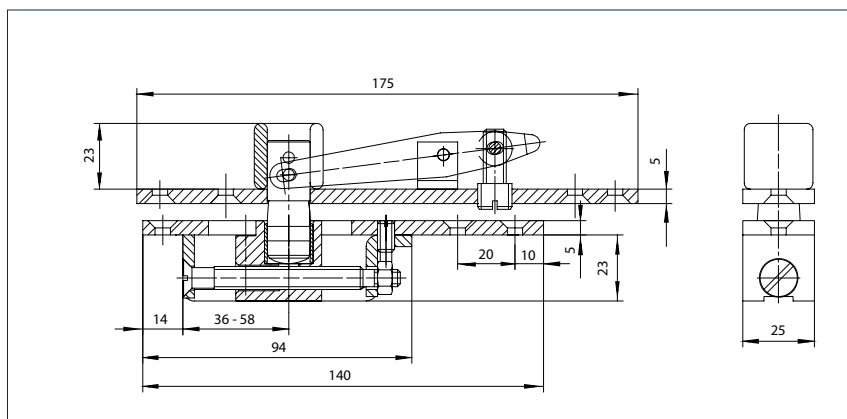
Adjustable pivot hinge model B



Adjustable pivot hinge model B



Adjustable pivot hinge model C



Adjustable pivot hinge model C

GEZE adjustable pivot hinge, cover plate and front plate for double-action doors - Order information

Description	Pivot pin	Version	ID no.
GEZE adjustable pivot hinge for double-action doors Model B, suitable for door rails C, CM, S	Pivot pin 65 mm	galvanised	000903
	Pivot pin 43 mm	galvanised	006371
	Pivot pin 55 mm	galvanised	000108
GEZE adjustable pivot hinge for double-action doors Model C, suitable for door rail C, CM, S	Pivot pin 55 mm	galvanised	000905
	Pivot pin 65 mm	galvanised	000904
	Pivot pin 43 mm	galvanised	006666
Cover plate for pivot hinge upper part Models B and C		Matt light alloy	000876
		Anodised light alloy E6/EV1	006375
Front plate for pivot hinge lower part Model B		Matt light alloy	000878
		Anodised light alloy E6/EV1	

GEZE T-Stop guide rails

Opening restrictor for doors

The GEZE T-Stop guide rail allows doors to be fitted without any door stops getting in the way.* The entrance looks nicer because the “tripping hazards” and dirt traps caused by door stops fitted to the floor are a thing of the past. This means the danger of crushing between the door leaf and the door stop e.g. in nurseries or schools has been banished.

The T-Stop guide rail has been designed for the overhead door closers GEZE TS 5000, TS 5000 L and TS 3000 V. The GEZE T-Stop guide rail has been made of specially reinforced aluminium profile with an integrated restricting mechanism. The restricting position can be freely set, the rail is installed using the same hole pattern as the standard guide rail. Retrofitting to door closers already in use is no problem at all – all you have to do is replace the guide rail and the lever. In case of heavy doors and doors under wind load, the possibilities must be clarified in advance. The T-Stop guide rail can also be fitted with a mechanical latching device as an option, making the doors easy to fix in an open position.

A supported GEZE pivot bearing can also be used in place of the door closer. The opening angle of the door is restricted by the T-Stop guide rail. The self-closing characteristic no longer applies in this case.

*a door stopper must be used in certain cases (see diagram)

T-Stop guide rail TS 5000/TS 3000



Application range

- For right and left hung doors for leaf installation on the hinge and opposite hinge side (different effect, depends on the type of installation!)

GEZE T-Stop guide rail with pivot bearing

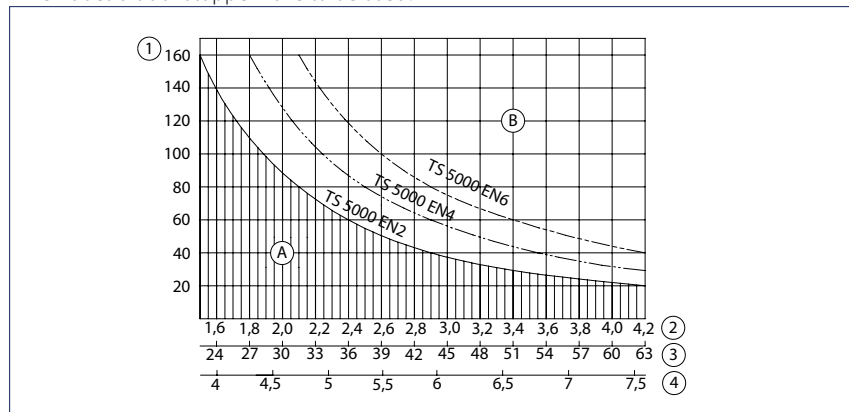


Application range

- Opening restrictor for single-action doors without door closers
- For right and left hung doors without the need for conversion

GEZE ACCESSORIES FOR DOOR CLOSERS

When does a door stopper have to be used?



Door dimensions: 1.00 x 2.20 m

- 1 = Door weight (kg)
- 2 = Opening speed (m/s)
- 3 = Wind speed (km/h)
- 4 = Wind force (Bft)
- A = Installation without door stopper
- B = Installation with door stopper

GEZE T-Stop guide rail - Order information

Description	Version	ID no.
GEZE T-Stop guide rail TS 5000/TS 3000 with integrated opening restrictor and lever	silver-coloured	102363
	white RAL 9016	108481
	simulated stainless steel ¹⁾	102364
	acc. to RAL ²⁾	102365
GEZE T-Stop guide rail BG TS 5000/TS 3000 with integrated opening restrictor and lever, use with closer on leaf installation on the opposite hinge side or with pivot bearing in leaf and transom installation opposite hinge side	silver-coloured	102366
	white RAL 9016	108482
	simulated stainless steel ¹⁾	102367
	acc. to RAL	102368
GEZE pivot bearing for T-Stop guide rail supported	silver-coloured	112688
	white RAL 9016	112689
	acc. to RAL ²⁾	112690
Installation materials		
Mounting plate guide rail BG for standard / T-Stop / EFS guide rail	silver-coloured	124683
	acc. to RAL ²⁾	124684
Guide rail mounting plate for standard / T-Stop / EFS guide rail	silver-coloured	001512
	white RAL 9016	129252
	acc. to RAL ²⁾	104515
Lintel casing bracket guide rail BG for T-Stop guide rail	silver-coloured	115006
	acc. to RAL ²⁾	115007

¹⁾ Only for dry rooms

²⁾ Surcharge for RAL special colours, see General Information in the price list.

GEZE Boxer pivot bearing

Integrated pivot bearing for opening restriction or hold-open function for doors without door closer, for use with all Boxer guide rails

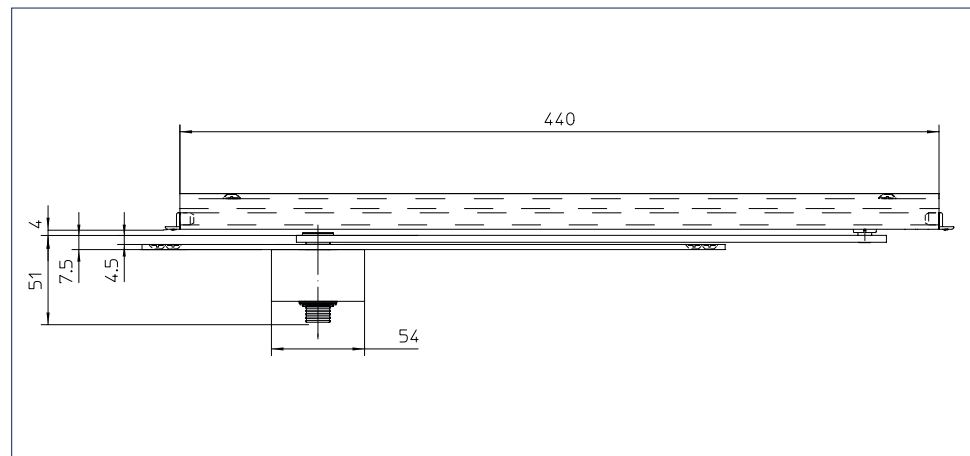
The GEZE Boxer pivot bearing makes it possible to integrate an opening restriction and a mechanical hold-open function in door systems without fire protection requirements. This means doors can be held open or have their opening angle restricted even without a door closer. In most cases, an external door stopper is no longer required. Thanks to integration in the door leaf or frame, the solution is not visible when the door is closed.

On 2-leaf doors, the Boxer pivot bearing makes the combination of an automatic swing door with a Boxer door closer and the Boxer ISM guide rail possible. When the door is closed, only the automatic swing door drive is visible, whereby the full functionality of a 2-leaf system with integrated closing sequence control in accordance with EN1158 is given.

The GEZE Boxer pivot bearing can be combined with the whole range of Boxer guide rails.



GEZE Boxer pivot bearing



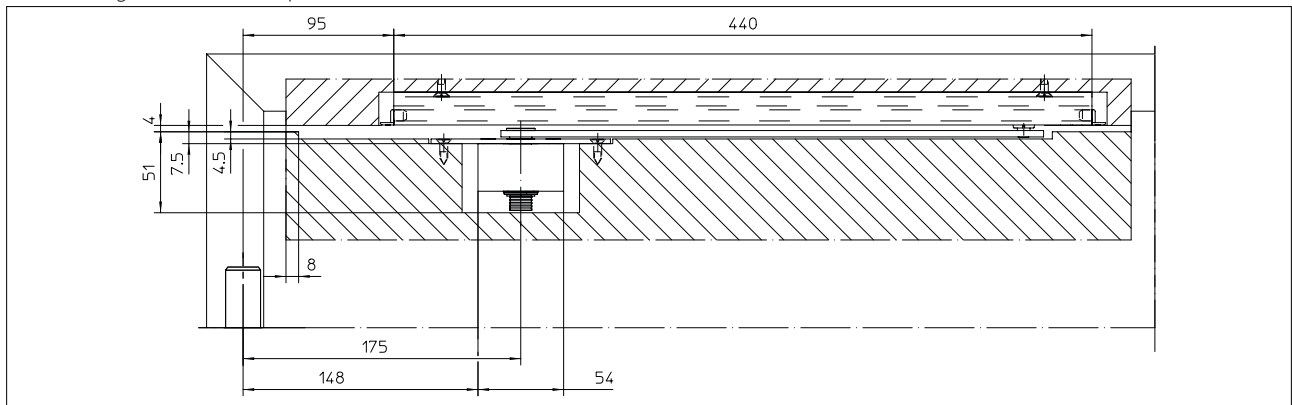
Area of application

- Opening restriction for single- or double-action doors without door closer
- Hold-open function for single- or double-action doors without door closer
- For right and left hung doors without the need for conversion
- For doors without smoke and fire protection requirements for internal applications
- For use in 2-leaf systems with automatic swing door and GEZE Boxer, tested in accordance with EN 1158

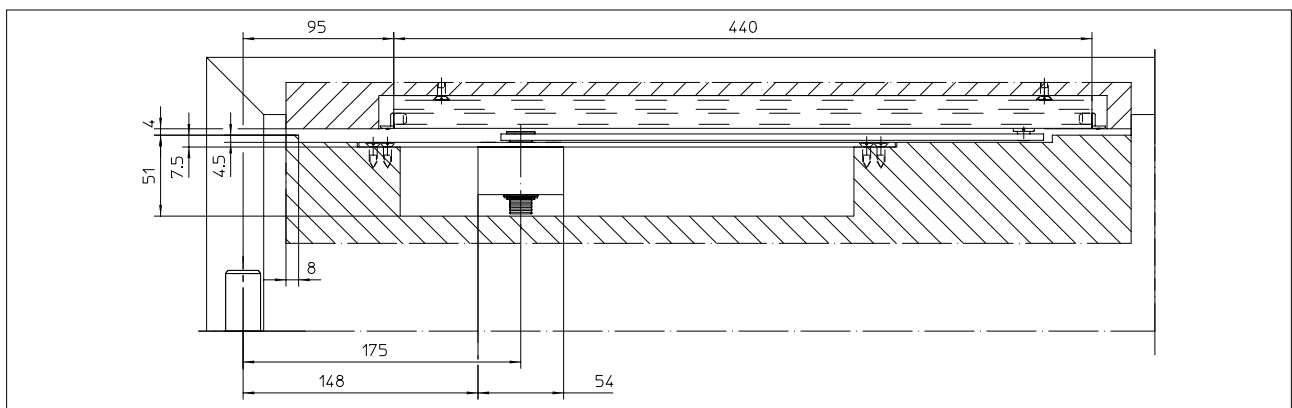
GEZE ACCESSORIES FOR DOOR CLOSERS

Installation notes

Pivot bearing with short cover plate



Pivot bearing with long cover plate



GEZE Boxer pivot bearing - Order information

Description	Spindle extension	Version	ID no.
GEZE Boxer pivot bearing Integrated pivot bearing for opening restriction or hold-open function for doors without door closer, for use with all Boxer guide rails	0, 2, 4, 6, 8 mm		156278
Guide rail Boxer 12 mm with lever, overall height 12 mm		silver-coloured	129213
		acc. to RAL	135732
Guide rail Boxer 12 mm with lever for double-action doors, overall height 12 mm (only Boxer 2-4)		silver-coloured	129344
		acc. to RAL	135733
Guide rail Boxer 20,7 mm with lever, overall height 20,7 mm		silver-coloured	112161
Guide rail Boxer 20,7 mm with lever and mechanical hold-open device, overall height 20.7 mm		silver-coloured	095141
		acc. to RAL	135689
Guide rail Boxer 20,7 mm with lever for double-action doors and mechanical hold-open device, overall height 20.7 mm (only Boxer 2-4)		silver-coloured	104246
		acc. to RAL	135731
Accessories			
GEZE flexible opening restrictor for lightweight doors for Boxer 12 mm guide rail			129343
GEZE flexible opening restrictor for lightweight doors for riveted guide rail, standard guide rail BG, standard guide rail and Boxer 20.7 mm guide rail			069780
GEZE mechanical hold-open device for Boxer 12 mm guide rail, retention force adjustable, cannot be overridden			129145
GEZE mechanical hold-open device for Standard / T-Stop / Boxer 20.7 mm guide rail, adjustable retention force, can be switched on and off, can be overridden			071924

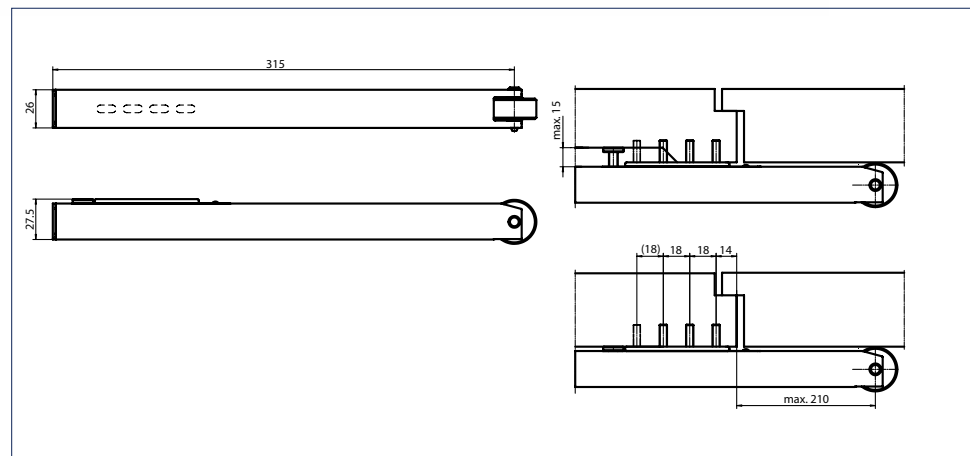
GEZE CB flex carry bar

For secure closing of 2-leaf fire protection doors

The safety requirements are particularly stringent for double-leaf fire protection doors which are used as emergency exits across their whole width. In an emergency, people rushing to escape must be able to pass through the door as quickly as possible. Then the two door leaves must close again reliably. With double-leaf full panic doors, the passive leaf can also be opened before the active leaf. In this case, the GEZE CB flex carry bar guarantees that the active leaf is opened to such an extent that it reaches the waiting position of the closing sequence control. This means both door leaves can then close again in the correct order.



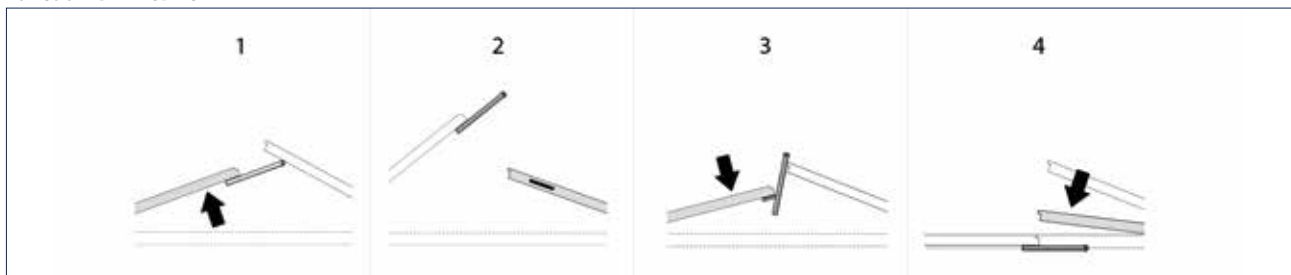
GEZE CB flex



Application range

- For 2-leaf doors with closing sequence control for securing the correct closing sequence
- For 2-leaf doors with full panic function on both leaves
- Leaf width of up to 1400 mm

Function GEZE CB flex



- 1 = Opening of a double-leaf door via the passive leaf
- 2 = Active leaf remains in the waiting position
- 3 = Passive leaf closes
- 4 = Active leaf is released as soon as the passive leaf has closed

GEZE CB flex - Order information

Description	Version	ID no.
GEZE CB flex for use on all 2-leaf rebated doors. Stepless, concealed length adjustment up to 210 mm leaf projection, hinged mechanism not visible, profile can be shortened if required, with attachment material	silver-coloured	153602
	acc. to RAL ¹⁾	153728

1) Surcharge for RAL special colours, see General Information in the Price List.

GEZE ACCESSORIES FOR DOOR CLOSERS

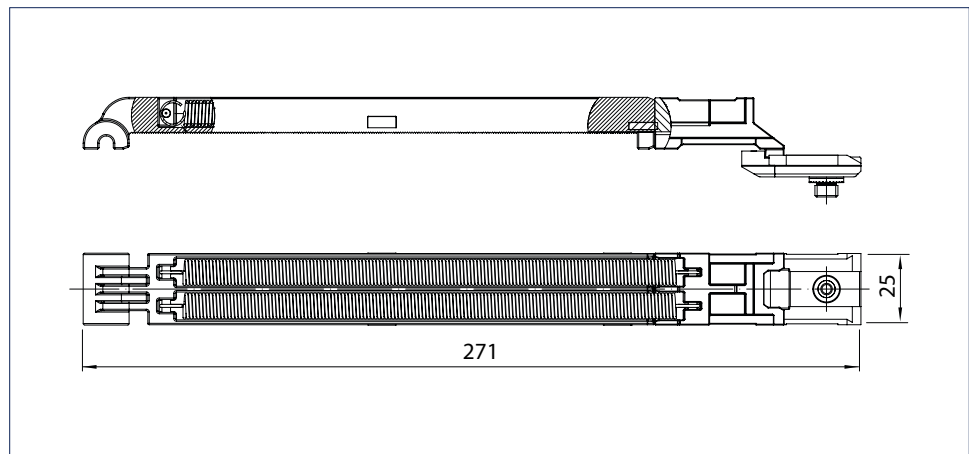
Ecline ISM / ISM BG retrofit kit

Energy accumulator for use on the active leaf in 2-leaf guide rails ISM and ISM BG

For 2-leaf systems with the TS 5000 Ecline, the Ecline ISM / ISM BG retrofit kit serves as energy accumulator on the active leaf. In the same way as with the GEZE Ecline guide rail, this permits a rapidly declining opening moment of 40 % to be achieved between 2° and 60° door opening angle. This makes passing through the door easier. Retro-fitting is no problem.



Ecline ISM / ISM BG retrofit kit



Area of application

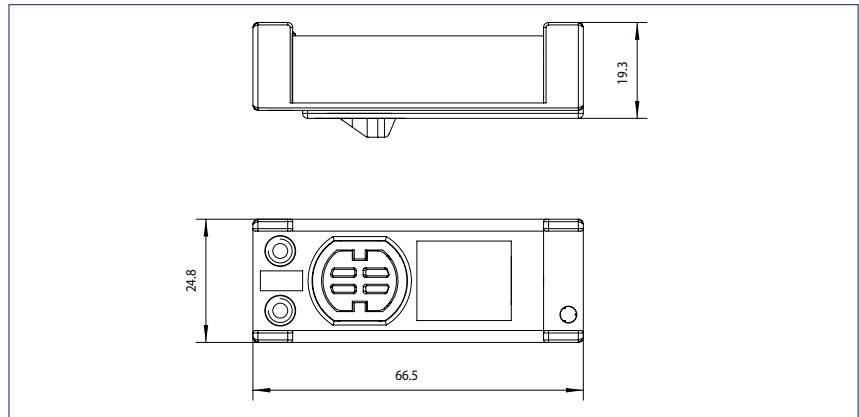
- For integration into ISM guide rails or ISM guide rails BG
- Great reduction of the opening moment over the opening process
- For single-action doors, leaf width of up to 1250 mm
- For right and left hung doors
- For fire protection doors (door closer with mounting plate)

Ecline ISM / ISM BG retrofit kit - Order information

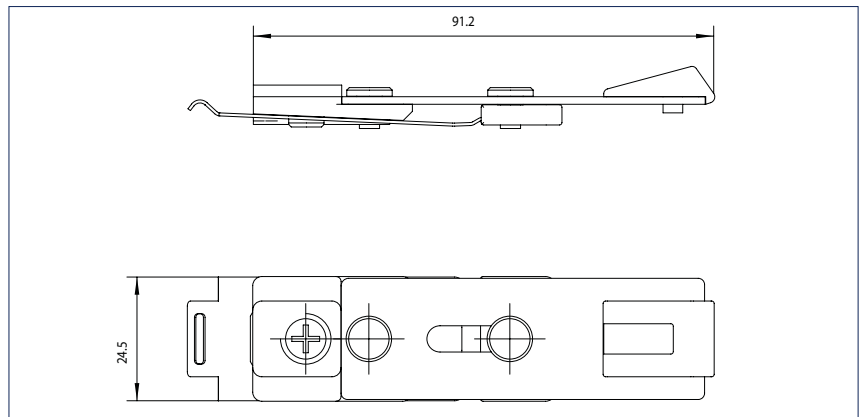
Description	Version	ID no.
Ecline ISM / ISM BG retrofit kit Energy accumulator for use on the active leaf in 2-leaf guide rails ISM and ISM BG , opening assistance for increased convenience	black	154767

GEZE mechanical hold-open devices

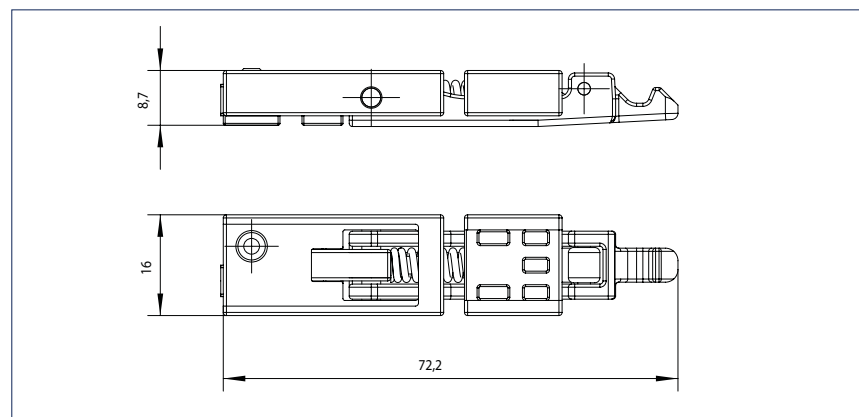
for ISM guide rail, standard/T-Stop/Boxer 20.7 mm guide rail, Boxer 12 mm guide rail and ECLine guide rail



Mechanical hold-open device ISM

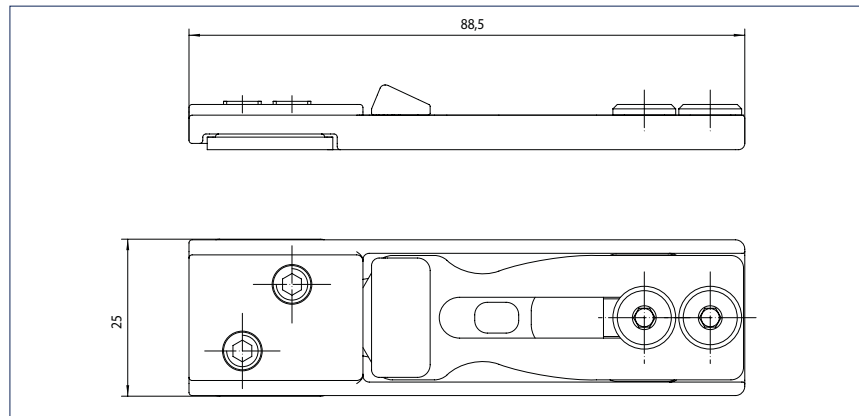


Mechanical hold-open device

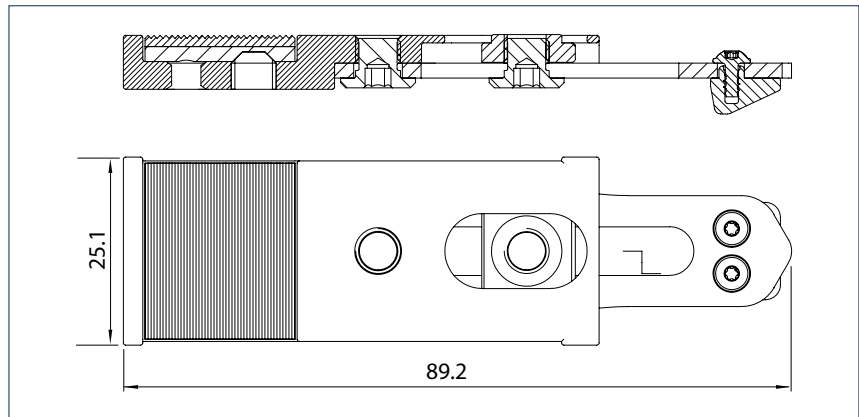


Mechanical hold-open device Boxer 12 mm

GEZE ACCESSORIES FOR DOOR CLOSERS



Mechanical hold-open device ECLine



Mechanical hold-open device ECLine ISM

Application range

- For holding a door leaf open mechanically at an angle of 80°-130°

GEZE mechanical hold-open devices - Order information

Description	ID no.
GEZE mechanical hold-open device for ISM guide rail, retention force adjustable, can be overridden ¹⁾	118437
GEZE mechanical hold-open device for Standard / T-Stop / Boxer 20.7 mm guide rail, adjustable retention force, can be switched on and off, can be overridden	071924
GEZE mechanical hold-open device for Boxer 12 mm guide rail, retention force adjustable, cannot be overridden	129145
GEZE mechanical hold-open device for ECLine guide rail, retention force adjustable, can be switched on and off, can be overridden	148820
GEZE mechanical hold-open device for ISM guide rail / ISM guide rail BG with ECLine ISM / ISM BG retrofit kit on the active leaf	154766

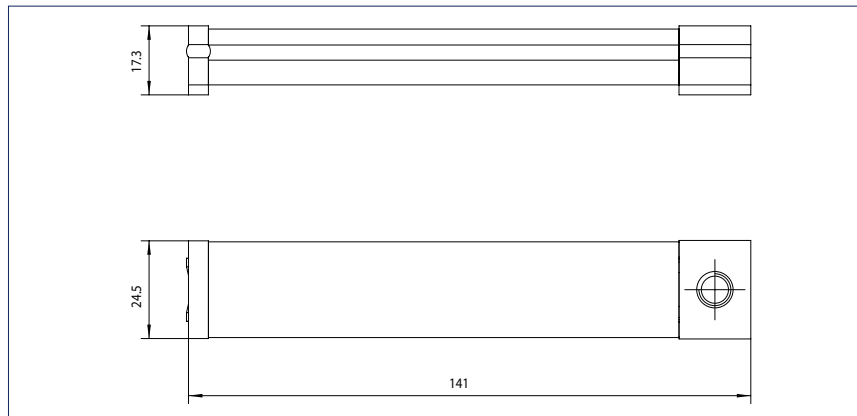
¹⁾ Only for standard ISM guide rail

GEZE flexible opening restrictor for lightweight doors

for riveted guide rail, standard guide rail BG, Boxer 20.7 mm guide rail, Boxer 12 mm guide rail and E/R/ISM guide rail



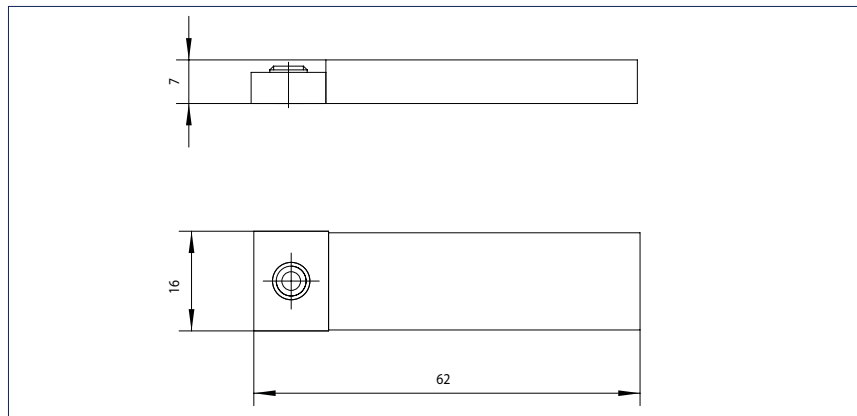
Flexible opening restrictor



Flexible opening restrictor



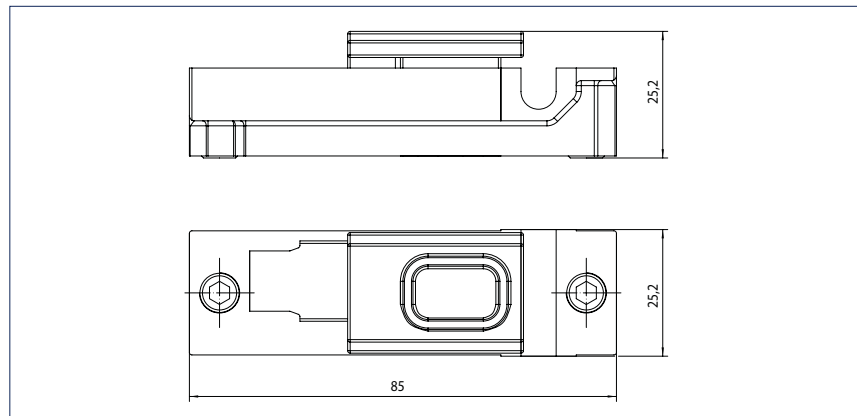
Flexible opening restrictor Boxer



Flexible opening restrictor Boxer 12 mm guide rail



Flexible opening restrictor



GEZE flexible opening restrictor E/R/ISM guide rail

Application range

- The mechanical back check prevents a normally opened door from contacting an adjacent obstacle.
- Note: The mechanical back check cannot replace a door stop in individual cases.

GEZE flexible opening restrictor - Order information

Description	ID no.
GEZE flexible opening restrictor for lightweight doors for riveted guide rail, standard guide rail BG and Boxer 20.7 mm guide rail	069780
GEZE flexible opening restrictor for lightweight doors for Boxer 12 mm guide rail	129343
GEZE flexible opening restrictor for guide rail 1-leaf: TS 5000 E/R/RFS (leaf installation), Boxer E; 2-leaf: all E/R-ISM variants TS 5000 and Boxer	145311

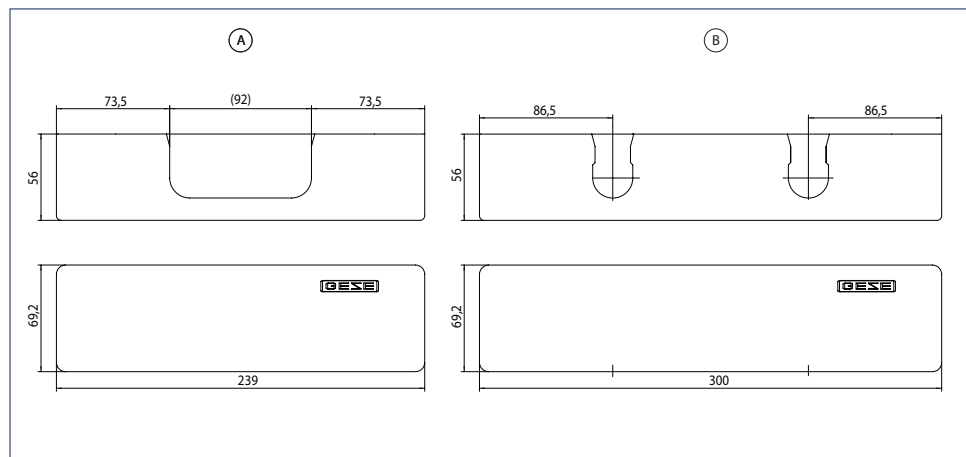
GEZE ACCESSORIES FOR DOOR CLOSERS

GEZE caps for door closers

for TS 1500, TS 3000/ TS 2000 and TS 5000/ TS 5000 L / TS 4000, can only be used for door leaf installation



GEZE door closer caps



A = Cap TS 3000/TS 2000
B = Cap TS 5000/ TS 5000 L/ TS 4000

GEZE door closer caps - Order information

Description	Version	ID no.
GEZE door closer cap for TS 1500, can only be used for door leaf installation	silver-coloured	080147
	white RAL 9016	080149
	acc. to RAL ¹⁾	080150
GEZE door closer cap for TS 3000/TS 2000, can only be used for door leaf installation	silver-coloured	013487
	white RAL 9016	014855
	stainless steel	072769
	brass	072770
	acc. to RAL ¹⁾	014856
GEZE door closer cap for TS 5000/ TS 5000 L / TS 4000, can only be used for door leaf mounting	silver-coloured	067724
	white RAL 9016	067726
	stainless steel	072696
	brass	072698
	acc. to RAL ¹⁾	000756

¹⁾ Surcharge for RAL special colours, see General Information in the Price List.

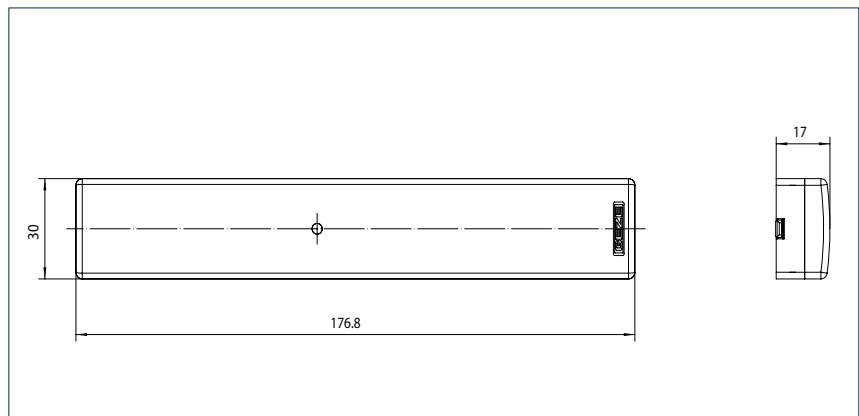
GEZE FA GC 170 wireless extension kit

For the wireless connection to GEZE hold-open systems

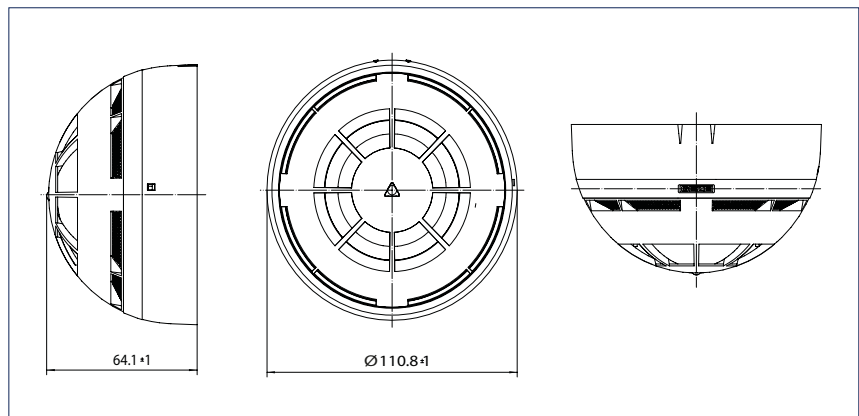
The new GEZE FA GC 170 wireless extension kit allows you to wirelessly connect ceiling-mounted detector and manual trigger switch to the lintel-mounted detector on all GEZE hold-open systems. No separate cables need to be laid, which facilitates planning, especially in listed buildings. In addition, the new solution has a general type approval and can easily be retrofitted, and it has been tested in accordance with the European DIN EN 54-25 standard for fire alarm systems. The long five-year battery life ensures low maintenance costs.



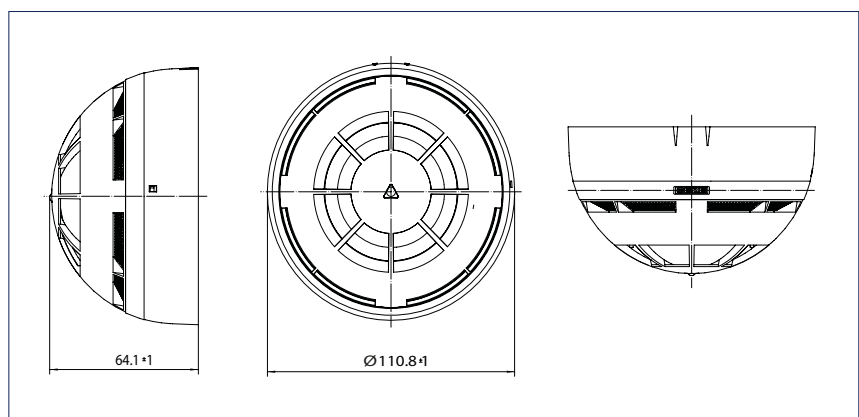
GC 171 wireless module



GC 172 wireless smoke detector



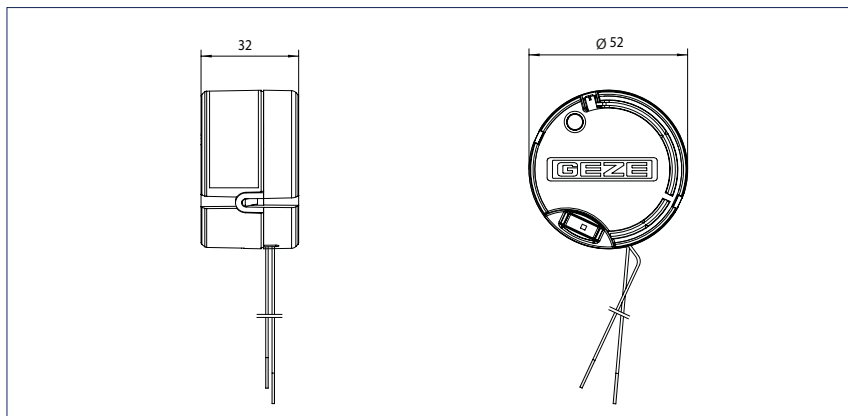
GC 173 wireless thermal detector



GEZE ACCESSORIES FOR DOOR CLOSERS



GC 175 wireless input module



Application range

- Installation in listed buildings without structural changes (cable routing) possible
- Retro-fitting or extension of existing systems.

GEZE wireless extension FA GC 170 for hold-open systems - Order information

Description	Version	ID no.
GEZE FA GC 170 Wireless KIT Set comprising: 1 piece GC 171 wireless module for the wireless extension of GEZE hold-open system and 2 pieces wireless ceiling-mounted smoke detectors GC 172		163692
GEZE GC 171 wireless module for the wireless connection of wireless components (GC 172 wireless smoke detector; GC 173 wireless thermal detector; GC 175 wireless input module) on GEZE hold-open systems	anthracite	163051
GEZE GC 172 wireless smoke detector for the wireless connection to GEZE hold-open systems, battery-operated, with base, tested in accordance with EN 54-7 and EN 54-25, general type approval for all GEZE hold-open systems	white RAL 9016	159656
GEZE GC 173 wireless thermal detector for the wireless connection to GEZE hold-open systems, battery-operated, with base, tested in accordance with EN 54-5 and EN 54-25, general type approval for all GEZE hold-open systems	white RAL 9016	159657
GEZE GC 175 wireless input module for the wireless connection of manual trigger switches to the GEZE GC 171 wireless module, applicable for all GEZE hold-open systems	black	163068
Accessories		
GEZE manual trigger switch for manual release of electrically controllable hold-open mechanisms incl. terminating resistor for line monitoring	alpine white/red	116266

GEZE GC 152 and GC 153 ceiling-mounted detectors

Smoke and thermal detectors for all GEZE hold-open devices

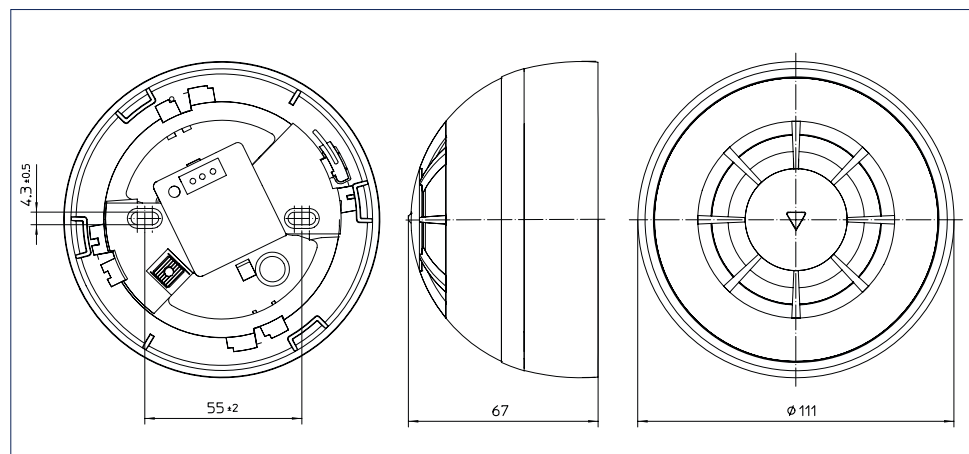
The GEZE GC 152 ceiling-mounted smoke detector is an early warning device for detecting smouldering fires and open fires with smoke development. This optical smoke detector works using the light scatter principle. One exceptional product feature of the smoke detector is its long service life. Thanks to its adaptation of the alarm threshold, the current soiling of the smoke detector is controlled intelligently and the triggering threshold is permanently adapted.

The GEZE GC 153 ceiling-mounted thermal detector measures the ambient temperature. If the temperature exceeds the threshold value of 57 °C, the alarm is triggered. In a fire, smoke and fire gases generally spread quickly. The temperature increases only later. This means smoke detectors must be used for hold-open systems in emergency exits. In areas with disruptions such as steam, dust or operationally caused smoke development (workshops, kitchens) it may, however, be sensible to use thermal detectors rather than smoke detectors.

The ceiling-mounted detectors GC 152 and GC 153 are tested in accordance with EN 14637.



GEZE GC 152 and GC 153 ceiling-mounted detectors



Application range

- Ceiling-mounted smoke detector GC 152 tested in accordance with EN 54-7, for all GEZE hold-open systems
- Ceiling-mounted thermal detector GC 153 tested in accordance with EN 54-5, for environments with high dust or steam development
- Approved by the German Institute for Construction Technology (DIBt) for all GEZE hold-open systems
- Increased service life thanks to alarm threshold
- Integrated resistors for activation in accordance with the line monitoring required under EN 14637
- Simple installation and maintenance thanks to convenient turn lock

GEZE ACCESSORIES FOR DOOR CLOSERS

GEZE GC 152 and GC 153 ceiling-mounted detectors - Order information

Description	Version	ID no.
GEZE GC 152 smoke detector Complete with base, 24 V DC, 20 mA, tested in accordance with EN54-7, with general approval for use with all GEZE hold-open systems, integrated line monitoring, conform with DIN EN 14637	white	139850
	acc. to RAL	170523
GEZE GC 153 thermal detector Complete with base, 24 V DC, 20 mA, tested in accordance with EN54-5 with general approval for use with all GEZE hold-open systems, integrated line monitoring, conform with DIN EN 14637	white	139881
	acc. to RAL	170524
Accessories		
GEZE manual trigger switch for manual release of electrically controllable hold-open mechanisms incl. terminating resistor for line monitoring	alpine white/red	116266
Surface-mounted box, single Suitable for the AS 500 switch range		120503
GEZE manual trigger switch with glass pane and 5 interchangeable letterings for manual release of electrically controllable door hold-open mechanisms	alpine white/red	120880
Replacement glass pane for GEZE manual trigger switch 120880 and 120881		010994
Wall attachment bracket for ceiling-mounted detectors GC Lintel installation possibility for ceiling-mounted detectors of the GC15x series	white	150264

GEZE RSZ 6 / RSZ 6 EC wire smoke switch control unit

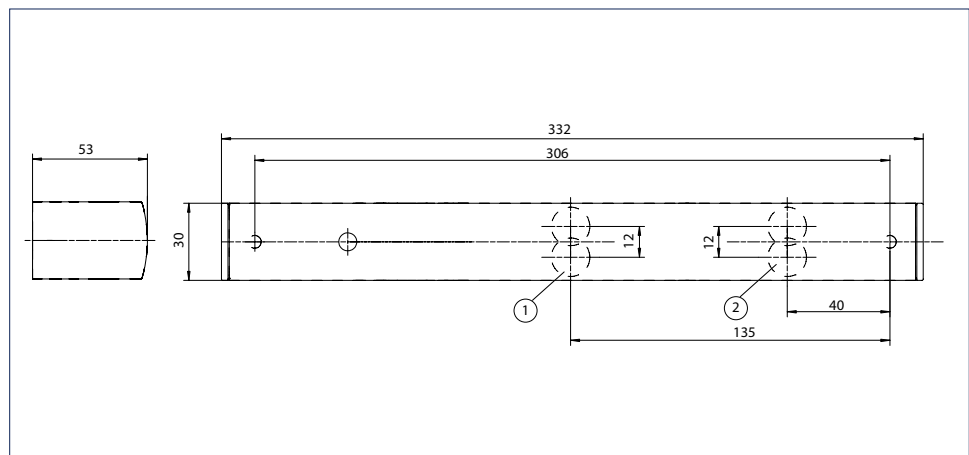
Smoke switch and power supply for all GEZE hold-open mechanisms

The GEZE RSZ 6 smoke switch control unit in the typical GEZE design has an overall height of 30 mm. It is connected to the 230 V power supply system and supplies the connected hold-open mechanisms reliably with 24 V DC voltage (max. 200 mA).

The smoke switch control unit is installed on the vertical wall above the door opening, thus making the early detection of fire and smoke possible (please keep at least 20 mm clear of the ceiling). If an alarm is triggered, the voltage supply to the hold-open mechanisms (e.g. electrical hold-open device in the guide rail or hold-open magnet) is interrupted and the doors close immediately. The connection of two additional ceiling-mounted detectors may be necessary depending on requirements. The integrated smoke switch has an automatic adaptation of the alarm threshold. This compensates light soiling of the smoke chamber and increases service life. The current state of the smoke switch is shown by an optical signal.



GEZE RSZ 6 smoke switch control unit



- 1 = Additional connections
2 = Power supply UP 230 V AC

Application range

- Approved for use with all GEZE hold-open mechanisms

GEZE ACCESSORIES FOR DOOR CLOSERS

GEZE RSZ 6 smoke switch control unit - Order information

Description	Version	ID no.
GEZE RSZ 6 smoke switch control unit Smoke switch and power supply for all GEZE hold-open mechanisms	silver-coloured	099851
	white RAL 9016	099858
	simulated stainless steel ¹⁾	099856
	acc. to RAL ²⁾	099859
GEZE RSZ 6 ECwire smoke switch control unit Smoke switch control unit ECwire for straightforward wiring with 2-wire technology incl. 2 ceiling-mounted smoke detectors GC 162 (White)	silver-coloured	154976
	white RAL 9016	154979
	simulated stainless steel ¹⁾	154991
	acc. to RAL ²⁾	154980
Accessories		
GEZE FA GC 170 Wireless KIT Set comprising: 1 piece GC 171 wireless module for the wireless extension of GEZE hold-open system and 2 pieces wireless ceiling-mounted smoke detectors GC 172		163692
GEZE GC 171 wireless module for the wireless connection of wireless components (GC 172 wireless smoke detector; GC 173 wireless thermal detector; GC 175 wireless input module) on GEZE hold-open systems	anthracite	163051
GEZE GC 172 wireless smoke detector for the wireless connection to GEZE hold-open systems, battery-operated, with base, tested in accordance with EN 54-7 and EN 54-25, general type approval for all GEZE hold-open systems	white RAL 9016	159656
GEZE GC 173 wireless thermal detector for the wireless connection to GEZE hold-open systems, battery-operated, with base, tested in accordance with EN 54-5 and EN 54-25, general type approval for all GEZE hold-open systems	white RAL 9016	159657
GEZE GC 175 wireless input module for the wireless connection of manual trigger switches to the GEZE GC 171 wireless module, applicable for all GEZE hold-open systems	black	163068
GEZE GC 152 smoke detector Complete with base, 24 V DC, 20 mA, tested in accordance with EN54-7, with general approval for use with all GEZE hold-open systems, integrated line monitoring, conform with DIN EN 14637	white	139850
GEZE GC 153 thermal detector Complete with base, 24 V DC, 20 mA, tested in accordance with EN54-5 with general approval for use with all GEZE hold-open systems, integrated line monitoring, conform with DIN EN 14637	white	139881
GEZE manual trigger switch for manual release of electrically controllable door hold-open mechanisms incl. terminating resistor for line monitoring	alpine white/red	116266
Surface-mounted box, single suitable for the AS 500 switch range		120503
GEZE manual trigger switch with glass pane and 5 interchangeable letterings for manual release of electrically controllable hold-open mechanisms	alpine white/red	120880
Replacement glass cover for GEZE manual trigger switch 120880 and 120881		010994

¹⁾ Only for dry rooms

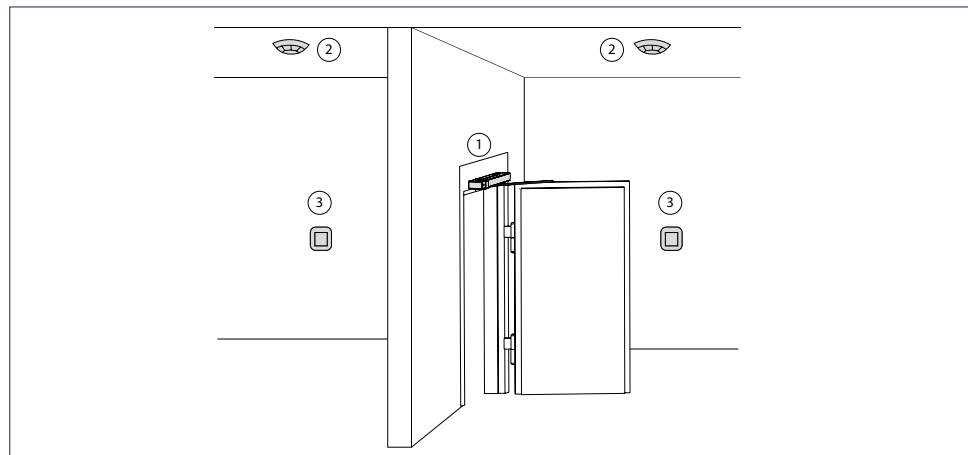
²⁾ Surcharge for RAL special colours, see General Information in the Price List.

GEZE manual trigger switch

for manual release of electrically controlled hold-open devices including terminating resistor for line monitoring



GEZE manual trigger switch



- 1 = Lintel-mounted detector
- 2 = Ceiling-mounted detector
- 3 = Manual trigger switch

GEZE manual trigger switch - Order information

Description	Version	ID no.
GEZE manual trigger switch for manual release of electrically controlled hold-open devices including terminating resistor for line monitoring	alpine white/red	116266
GEZE manual trigger switch with glass pane and 5 exchangeable lettering for manual release of electrically controllable door hold-open devices	alpine white/red	120880
Surface-mounted box, single suitable for the AS 500 switch range		120503
Surface-mounted box, double suitable for the AS 500 switch range		128609
Surface-mounted box, triple suitable for the AS 500 switch range		133206
Replacement glass pane for GEZE manual trigger switch 120880 and 120881		010994

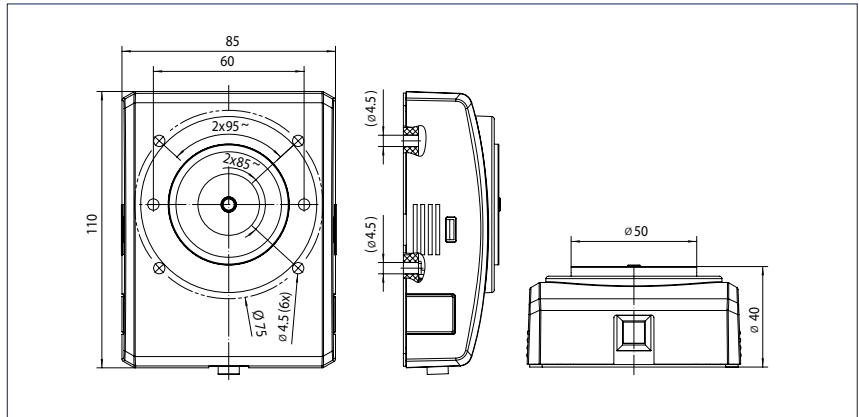
GEZE ACCESSORIES FOR DOOR CLOSERS

GEZE door hold-open magnets

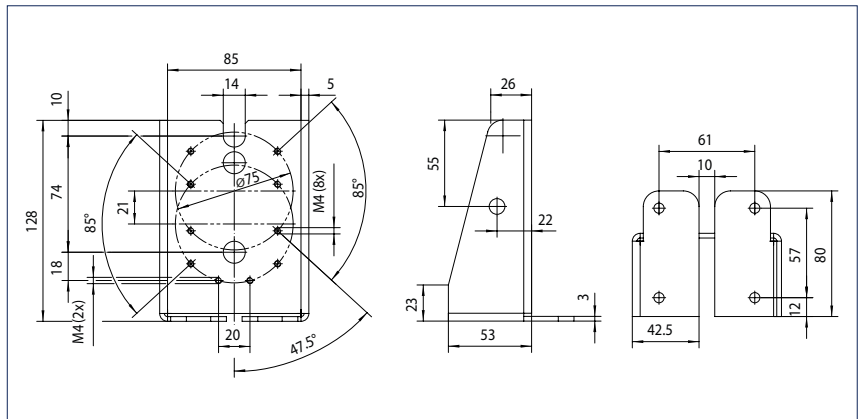
Electric door hold-open magnets are used as hold-open devices for holding open fire protection doors. They must be connected to a smoke detection system which, in the event of fire, interrupts the clamping power supply. The door is then released and is closed by the door closer.

The door hold-open magnets are activated via the GEZE RSZ 6 smoke switch control unit or via smoke protection switches integrated into the GEZE R guide rails. It is also possible to release the door from its hold-open position using manual trigger switches which also shut off the clamping power supply.

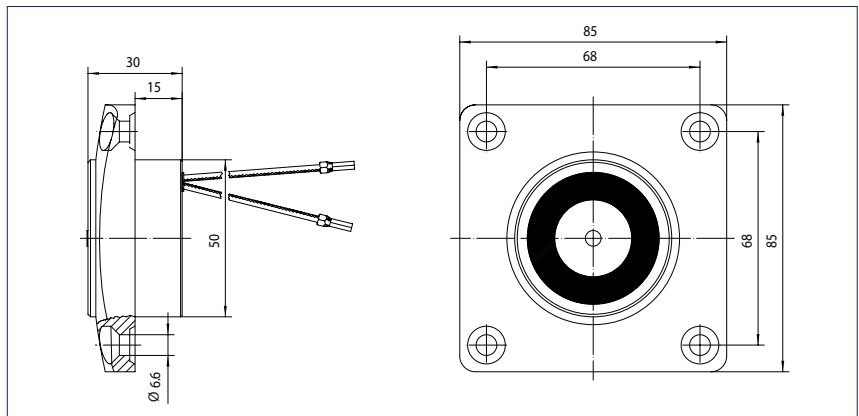
GEZE door hold-open magnets are listed as hold-open mechanism named GT50 R in the certification.



Door hold-open magnet surface-mounted



Base for floor mounting

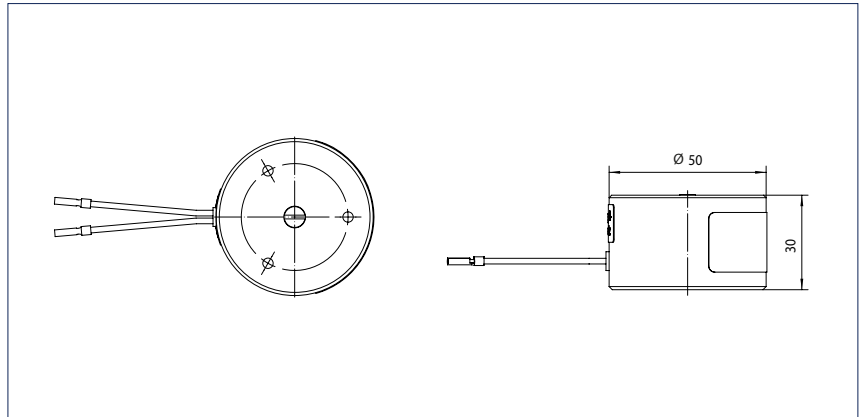


Door hold-open magnet flush-mounted

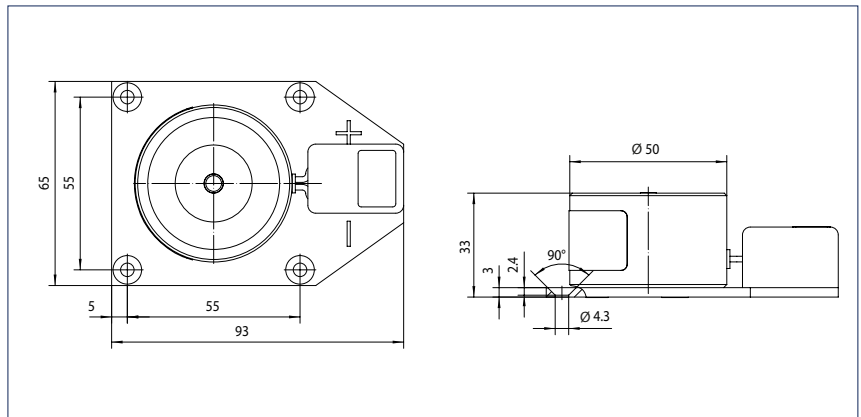
GEZE ACCESSORIES FOR DOOR CLOSERS



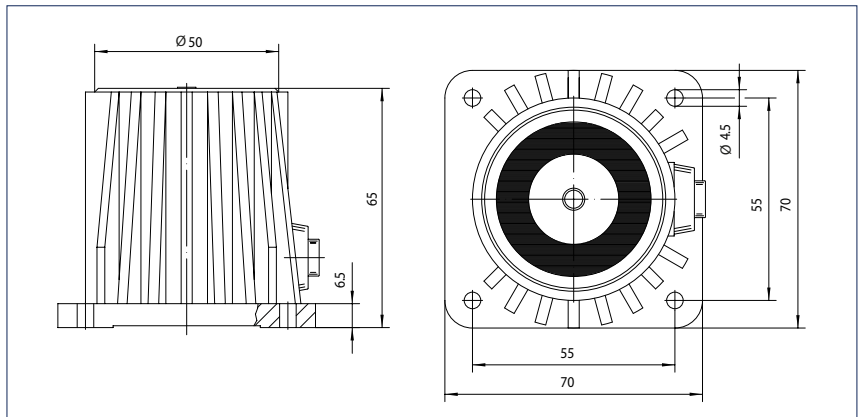
Door hold-open magnet
basic model



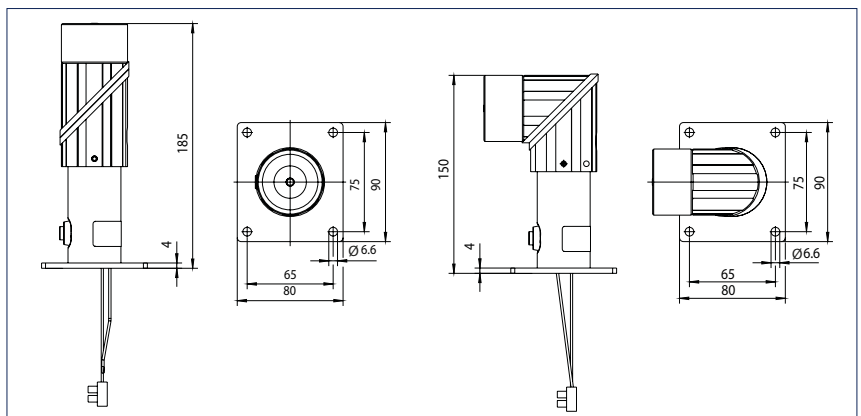
Door hold-open magnet
basic model with clamp



Door hold-open magnet
wall assembly



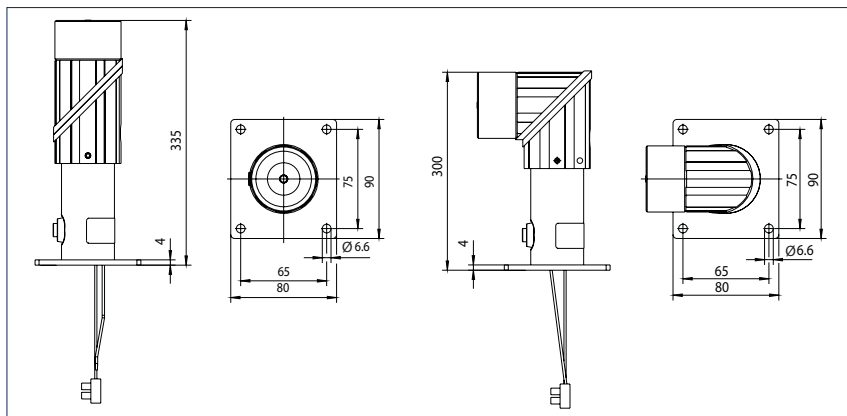
Door hold-open magnet
wall/ceiling/floor 185 mm



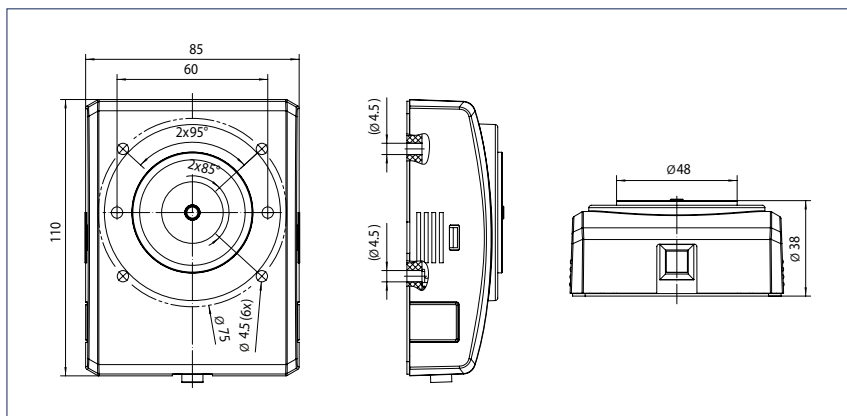
GEZE ACCESSORIES FOR DOOR CLOSERS



Door hold-open magnet wall/ceiling/floor 335 mm



Door hold-open magnet with counter plate



International version - tested in accordance with EN 1155, not approved by the building authorities with GEZE hold-open systems in Germany

GEZE door hold-open magnets - Order information

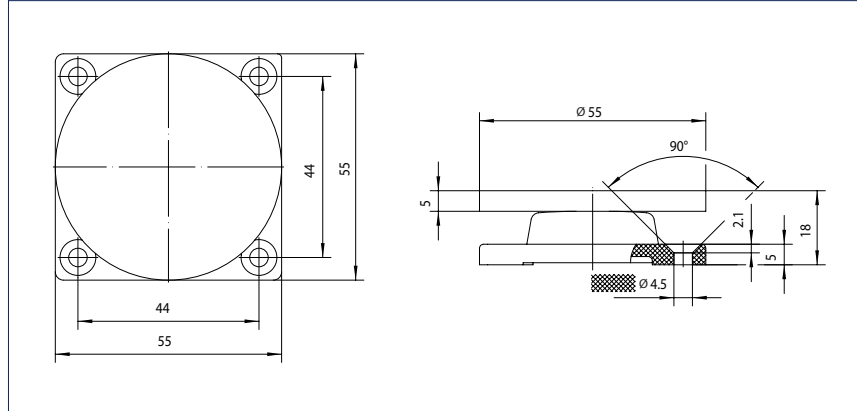
Description	ID no.
GEZE door hold-open magnet, 24 V DC - 490 N retention force, approved for use with all GEZE smoke switch control units. Wall installation surface-mounted or floor mounting with accessories base	155569
Base for floor mounting for GEZE hold-open magnet Base for hold-open magnet surface-mounted	155574
GEZE door hold-open magnet, 24 V DC - 490 N retention force, approved for use with all GEZE smoke switch control units. Wall installation flush-mounted	155567
GEZE door hold-open magnet, 24 V DC - 490 N retention force, approved for use with all GEZE smoke switch control units. Basic model, without fixing plate, screw fixture on the back	115830
GEZE door hold-open magnet, 24 V DC - 490 N retention force, approved for use with all GEZE smoke switch control units. Wall assembly, with base plate	115829
GEZE door hold-open magnet, 24 V DC - 490 N retention force, approved for use with all GEZE smoke switch control units. Wall installation with base 65 mm	155573
GEZE door hold-open magnet, 24 V DC - 490 N retention force, approved for use with all GEZE smoke switch control units Wall/ceiling mounting, stand pipe 185 mm, can be flexibly shortened, magnetic head adjustable through 90°	115952
GEZE door hold-open magnet, 24 V DC - 490 N retention force, approved for use with all GEZE smoke switch control units Wall/ceiling mounting, stand pipe 335 mm, can be flexibly shortened, magnetic head adjustable through 90°	115953
GEZE door hold-open magnet, 230 V DC - 400 N retention force, not approved by the building authorities with GEZE hold-open systems in Germany Wall installation surface-mounted incl. magnetic counter plate with joint	155572
GEZE door hold-open magnet 24 V DC - 200 N retention force, not approved by the building authorities with GEZE hold-open systems in Germany Wall installation surface-mounted incl. magnetic counter plate with joint	155570
GEZE hold-open magnet, 48 V DC - 200 N retention force, not approved by the building authorities with GEZE hold-open systems in Germany Wall installation surface-mounted incl. magnetic counter plate with joint	155571

GEZE magnetic counter plates for GEZE hold-open magnets

Standard version, version with spring buffer and adjustable joint



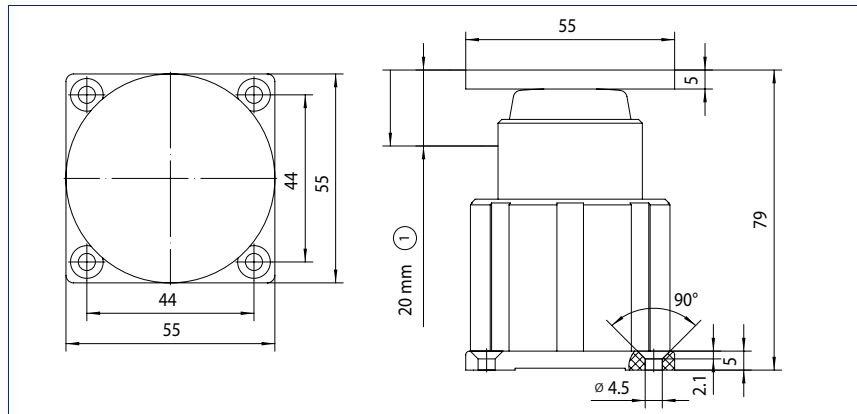
Standard magnetic counter plate



Standard magnetic counter plate on mounting plate with spring system for flatness with hold-open magnet



Magnetic counter plate with spring buffer

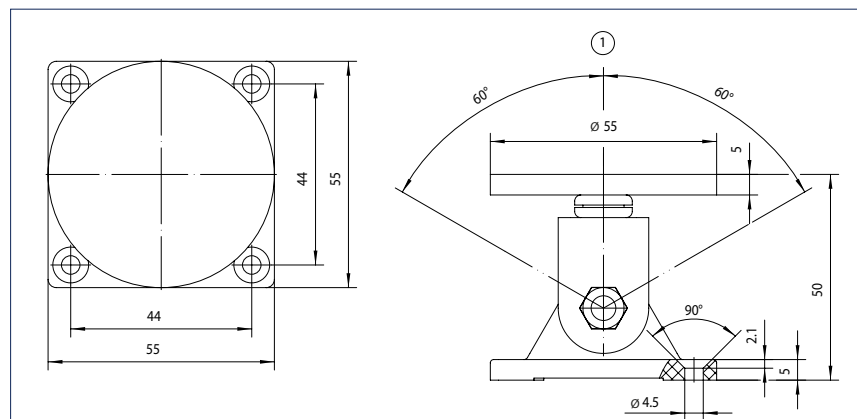


Magnetic counter plate with spring buffer on mounting plate with damping spring for soft-spring buffer for heavy doors

1 = 200 mm spring travel



Magnetic counter plate with joint



Magnetic counter plate with joint on mounting plate with additional adjustment for external angle positions between door and hold-open magnet

1 = Swivelling range approx. 60°

Order information

Description	ID no.
GEZE magnetic counter plate for GEZE hold-open magnets Standard version, rubber support	115954
GEZE magnetic counter plate for GEZE hold-open magnets Version with spring buffer	115955
GEZE magnetic counter plate for GEZE hold-open magnets Version with adjustable joint	115956

REFERENCES



GEZE TS 550 E-IS-G, HafenCity University Hamburg, Germany (Photo: S. Dauth)



TS 5000 EFS 3-6, Robert Bosch Hospital Stuttgart, Germany (Photo: J. Pollak)

POTENTIAL APPLICATIONS OF GEZE PRODUCTS

You will find more product information in the relevant brochures, see ID numbers.

Door technology	
01	Overhead door closers ID 091593, ID 091594
02	Hold-open systems ID 091593, ID 091594
03	Integrated door closers ID 091609
04	Floor springs and all-glass fittings ID 091607
05	Sliding fitting systems and linear guides ID 123605, ID 000586
Automatic door systems	
06	Swing doors ID 144785
07	Sliding, telescopic and folding doors ID 143639
08	Curved sliding doors ID 135772
09	Revolving doors ID 132050
10	Activation devices and sensors ID 142655
Smoke and heat extraction and window technology	
11	Fanlight opening systems ID 127787
12	Electric opening and locking systems ID 127785, ID 127789
13	Electrical spindle and linear drives ID 127785, ID 127789
14	Electric chain drives ID 127785, ID 127789
15	Smoke and heat extraction systems ID 127785, ID 139075
Safety technology	
16	Emergency exit systems ID 132408
17	Access control systems ID 132158
18	Panic locks ID 132848
19	Electric strikes ID 148666
20	Building management system ID 132408
Glass systems	
21	Manual sliding wall systems (MSW) ID 104377
22	Integrated all-glass systems (IGG) ID 104366



POTENTIAL APPLICATIONS OF GEZE PRODUCTS



Door technology

The functionality, superior performance and reliability of GEZE door closers are impressive. A common design across the range, the ability to use them on all common door leaf widths and weights, and the fact that they can be individually adjusted makes their selection simple. They are continually being improved and enhanced with up-to-date features. For example, the requirements of fire protection and accessibility are fulfilled with a door closer system.

Automatic door systems

GEZE automatic door systems open up a huge variety of options in door design. The latest, innovative high-performance drive technology, safety, ease of accessibility and first class universal drive design set them apart. GEZE offers complete solutions for individual requirements.

Smoke and heat extraction and window technology

GEZE smoke and heat extraction systems and ventilation technology provide complete systems solutions combining the many requirements of different types of windows. We supply a full range from energy efficient drive systems to natural ventilation and complete solutions for supplying and extracting air, also as certified SHEVs.

Safety technology

GEZE safety technology sets the standards where preventative fire protection, access control and anti-theft security in emergency exits are concerned. For each of these objectives GEZE offers tailored solutions, which combine the individual safety requirements in one intelligent system and close doors and windows in case of danger in a coordinated manner.

Building systems

In GEZE's Building Management System GEZE door, window and safety products can be integrated in to the security and control systems of the building. A central control and visualisation system monitors various automation components in the building and offers security through many different networking capabilities.

Glass systems

GEZE glass systems stand for open and transparent interior design. They can either blend discreetly into the architecture of the building or stand out as an accentuated feature. GEZE offers a wide variety of technologies for functional, reliable and aesthetic sliding wall or sliding door systems providing security with lots of design scope.

GEZE GmbH
P.O. Box 1363
71226 Leonberg
Germany

GEZE GmbH
Reinhold-Vöster-Straße 21-29
71229 Leonberg
Germany
Tel. +49 7152 203 0
Fax +49 7152 203 310
www.geze.com

Germany
 GEZE GmbH
 Niederlassung Süd-West
 Breitwiesenstraße 8
 71229 Leonberg
 Tel. +49 7152 203 594
 Fax +49 7152 203 438
 leonberg.de@geze.com

GEZE GmbH
 Niederlassung Süd-Ost
 Parking 17
 85748 Garching bei München
 Tel. +49 7152 203 6440
 Fax +49 7152 203 77050
 muenchen.de@geze.com

GEZE GmbH
 Niederlassung Ost
 Albert-Einstein-Ring 5
 14532 Kleinmachnow bei Berlin
 Tel. +49 7152 203 6840
 Fax +49 7152 203 76849
 berlin.de@geze.com

GEZE GmbH
 Niederlassung Mitte/Luxemburg
 Siemensstraße 14
 63263 Neu-Isenburg
 Tel. +49 7152 203 6888
 Fax +49 7152 203 6891
 frankfurt.de@geze.com

GEZE GmbH
 Niederlassung West
 Heltorfer Straße 12
 40472 Düsseldorf
 Tel. +49 7152 203 6770
 Fax +49 7152 203 76770
 duesseldorf.de@geze.com

GEZE GmbH
 Niederlassung Nord
 Albert-Schweitzer-Ring 24-26 (3. OG)
 22045 Hamburg
 Tel. +49 7152 203 6600
 Fax +49 7152 203 76608
 hamburg.de@geze.com

GEZE Service GmbH
 Niederlassung Süd-West
 Reinhold-Vöster-Straße 25
 71229 Leonberg
 Tel. +49 1802 923392
 Fax +49 7152 9233 359
 service-leonberg.de@geze.com

GEZE Service GmbH
 Niederlassung Süd
 Parking 17
 85748 Garching bei München
 Tel. +49 1802 923392
 Fax +49 7152 9233 859
 service-muenchen.de@geze.com

GEZE Service GmbH
 Niederlassung Mitte/Luxemburg
 Siemensstraße 14
 63263 Neu-Isenburg
 Tel. +49 1802 923392
 Fax +49 7152 9233 659
 service-frankfurt.de@geze.com

GEZE Service GmbH
 Niederlassung West
 Heltorfer Straße 12
 40472 Düsseldorf
 Tel. +49 1802 923392
 Fax +49 7152 9233 559
 service-duesseldorf.de@geze.com

GEZE Service GmbH
 Niederlassung Ost
 Albert-Einstein-Ring 5
 14532 Kleinmachnow bei Berlin
 Tel. +49 1802 923392
 Fax +49 7152 9233 759
 service-berlin.de@geze.com

GEZE Service GmbH
 Niederlassung Nord
 Albert-Schweitzer-Ring 24-26 (3. OG)
 22045 Hamburg
 Tel. +49 1802 923392
 Fax +49 7152 9233 459
 service-hamburg.de@geze.com

Austria
 GEZE Austria
 Wiener Bundesstrasse 85
 A-5300 Hallwang
 Tel: +43 6225 87180
 Fax +43 6225 87180 299
 austria.at@geze.com

Baltic States – Lithuania / Latvia / Estonia
 Tel. +371 678960 35
 baltic-states@geze.com

Benelux
 GEZE Benelux B.V.
 Industrieterrein Kapelbeemd
 Steenoven 36
 5626 DK Eindhoven
 Tel. +31 4026290 80
 Fax +31 4026290 85
 benelux.nl@geze.com

Bulgaria
 GEZE Bulgaria - Trade
 Representative Office
 Nickolay Haitov 34 str., fl. 1
 1172 Sofia
 Tel. +359 247043 73
 Fax +359 247062 62
 office-bulgaria@geze.com

China
 GEZE Industries (Tianjin) Co., Ltd.
 Shuangchenzhong Road
 Beichen Economic Development
 Area (BEDA)
 Tianjin 300400, P.R. China
 Tel. +86 22 26973995
 Fax +86 22 26972702
 chinasales@geze.com.cn

GEZE Industries (Tianjin) Co., Ltd.
 Branch Office Shanghai
 Jia Little Exhibition Center
 Room C 2-102
 Shenzhuan Rd. 6000
 201619 Shanghai, P.R. China
 Tel. +86 21 52340960
 Fax +86 21 64472007
 chinasales@geze.com.cn

GEZE Industries (Tianjin) Co., Ltd.
 Branch Office Guangzhou
 Room 17 C 3
 Everbright Bank Building, No.689
 Tian He Bei Road
 510630 Guangzhou, P.R. China
 Tel. +86 20 38731842
 Fax +86 20 38731834
 chinasales@geze.com.cn

GEZE Industries (Tianjin) Co., Ltd
 Branch Office Beijing
 Room 04-05, 7th Floor
 Red Sandalwood Plaza
 No. 27 Jianguo Road
 Chaoyang District
 100024 Beijing, P.R.China
 Tel. +86 10 85756009
 Fax +86 10 85758079
 chinasales@geze.com.cn

France
 GEZE France S.A.R.L.
 ZAC de l'Orme Rond
 RN 19
 77170 Servon
 Tel. +33 1 606260 70
 Fax +33 1 606260 71
 france.fr@geze.com

Hungary
 GEZE Hungary Kft.
 Hungary-2051 Biatorbágy
 Vendel Park
 Huber u. 1.
 Tel. +36 23532 735
 Fax +36 23532 738
 office-hungary@geze.com

Iberia
 GEZE Iberia S.R.L.
 C/ Andorra 24
 08830 Sant Boi de Llobregat
 (Barcelona)
 Tel. +34 902194 036
 Fax +34 902194 035
 info.es@geze.com

India
 GEZE India Private Ltd.
 MF 2 & 3, Guindy Industrial Estate
 Ekkattuthangal
 Chennai 600 097
 Tamilnadu
 Tel. +91 44 406169 00
 Fax +91 44 406169 01
 office-india@geze.com

Italy
 GEZE Italia S.r.l
 Sede di Vimercate
 Via Fiorbellina 20
 20871 Vimercate (MB)
 Tel. +39 0399530401
 Fax +39 039 9530459/419
 italia.it@geze.com

Sede di Roma
 Via Lucrezia Romana, 91
 00178 Roma
 Tel. +39 039 9530401
 Fax +39 039 9530449
 italia.it@geze.com

Korea
 GEZE Korea Ltd.
 T4-716 Western Tower, 24 Jeong-
 balsanro, Ilsangu Goyangsi,
 Gyeonggido, 10403, South Korea
 Tel. +82 31 814 6410
 Fax +82 31 814 6410
 info.kr@geze.com

Poland
 GEZE Polska Sp. z o.o.
 ul. Marywilska 24
 03-228 Warszawa
 Tel. +48 224 404 440
 Fax +48 224 404 400
 geze.pl@geze.com

Romania
 GEZE Romania S.R.L.
 IRIDE Business Park,
 Str. Dimitrie Pompeiu nr. 9-9a,
 Building 10, Level 2, Sector 2,
 020335 Bucharest
 Tel. +40 212507 750
 Fax +40 316201 258
 office-romania@geze.com

Russia
 OOO GEZE RUS
 Letnikovskaya str. 10/2
 Floor 6, room VII
 115114 Moscow
 Tel. +7 495 741 40 61
 office-russia@geze.com

Scandinavia – Sweden
 GEZE Scandinavia AB
 Mallslingan 10
 Box 7060
 18711 Täby, Sweden
 Tel. +46 87323 400
 Fax +46 87323 499
 sverige.se@geze.com

Scandinavia – Norway
 GEZE Scandinavia AB avd. Norge
 Industriveien 34 B
 2073 Dal
 Tel. +47 63957 200
 Fax +47 63957 173
 norge.se@geze.com

Scandinavia – Denmark
 GEZE Danmark
 Branch office of GEZE Scandinavia AB
 Märkærvej 13 J-K
 2630 Taastrup
 Tel. +45 463233 24
 Fax +45 463233 26
 danmark.se@geze.com

Singapore
 GEZE (Asia Pacific) Pte. Ltd.
 21 Bukit Batok Crescent
 #23-75 Wcega Tower
 Singapore 658065
 Tel. +65 6846 1338
 Fax +65 6846 9353
 gezessea@geze.com.sg

South Africa
 Geze South Africa (Pty) Ltd.
 GEZE, Building 3, 1019 Morkels Close
 Midrand 1685
 Tel. +87 94337 88
 Fax +86 66137 52
 info@gezesasa.co.za

Switzerland
 GEZE Schweiz AG
 Zelglimatte 1A
 6260 Reiden
 Tel. +41 62 28554 00
 Fax +41 62 28554 01
 schweiz.ch@geze.com

Turkey
 GEZE Kapı ve Pencere Sistemleri
 San. ve Tic. Ltd. Sti.
 İstanbul Anadolu Yakası Organize
 Sanayi Bölgesi
 Gazi Bulvarı Caddesi 8.Sokak No:8
 Tuzla-İstanbul
 Tel. +90 216 45543 15
 Fax +90 216 45582 15
 office-turkey@geze.com

Ukraine
 GEZE Ukraine LLC
 45, Elektrotekhnicheskaya str.,
 Kiev, 02222
 Tel./Fax +38 445012225
 office-ukraine@geze.com

United Arab Emirates/GCC
 GEZE Middle East
 P.O. Box 17903
 Jebel Ali Free Zone
 Dubai
 Tel. +971 48833 112
 Fax +971 48833 240
 gezeme@geze.com

United Kingdom
 GEZE UK Ltd.
 Blenheim Way
 Fradley Park
 Lichfield
 Staffordshire WS13 8SY
 Tel. +44 15434430 00
 Fax +44 15434430 01
 info.uk@geze.com

GEZE REPRESENTATIVE