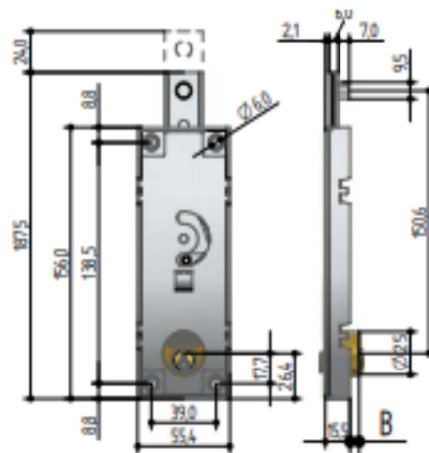


SCHEDA TECNICA

# PARIDE



SERRATURA DA APPLICARE PER BASCULANTI E SERRANDE B511 PREFER



**B511** Cilindro Ø25 senza quadro maniglia (2 chiavi dotazione)  
 Cylinder Ø25 without handle frame (2 keys supplied)

| codice serrature    locks code |   |   |   |   |   |   |   |   |    |    |    |    |      | B<br>(mm) | ricambi    spare parts |    | conf. multipla<br>multiple package | conf. singola<br>single package | min. ordinabile<br>minim. quantity |
|--------------------------------|---|---|---|---|---|---|---|---|----|----|----|----|------|-----------|------------------------|----|------------------------------------|---------------------------------|------------------------------------|
| 1                              | 2 | 3 | 4 | 5 | 6 | 7 | 8 | 9 | 10 | 11 | 12 | 13 | 14   |           |                        |    |                                    |                                 |                                    |
| B                              | 5 | 1 | 1 | • | 0 | 0 | 1 | 0 | 0  | 2  | 0  | 0  | 5.5  | 6810.0000 | 7100.1400              | 40 | 1                                  | 10                              |                                    |
| B                              | 5 | 1 | 1 | • | 0 | 0 | 1 | 2 | •  | 0  | 2  | 0  | 9.0  | 6810.0002 | 7100.1500              | 40 | 1                                  | 10                              |                                    |
| B                              | 5 | 1 | 1 | • | 0 | 0 | 1 | 4 | •  | 0  | 2  | 0  | 12.5 | 6810.0004 | 7100.1500              | 40 | 1                                  | 1                               |                                    |
| B                              | 5 | 1 | 1 | • | 0 | 0 | 1 | 6 | •  | 0  | 2  | 0  | 21.5 | 6810.0006 | 7201.1600              | 40 | 1                                  | 1                               |                                    |
| B                              | 5 | 1 | 1 | • | 0 | 0 | 1 | 8 | •  | 0  | 2  | 0  | 25.8 | 6810.0008 | 7201.1700              | 40 | 1                                  | 1                               |                                    |
| B                              | 5 | 1 | 1 | • | 0 | 0 | 1 | A | •  | 0  | 2  | 0  | 34.1 | 6810.000A | 7101.1500              | 40 | 1                                  | 1                               |                                    |

[WWW.FERRAMENTAPARIDE.IT](http://WWW.FERRAMENTAPARIDE.IT)